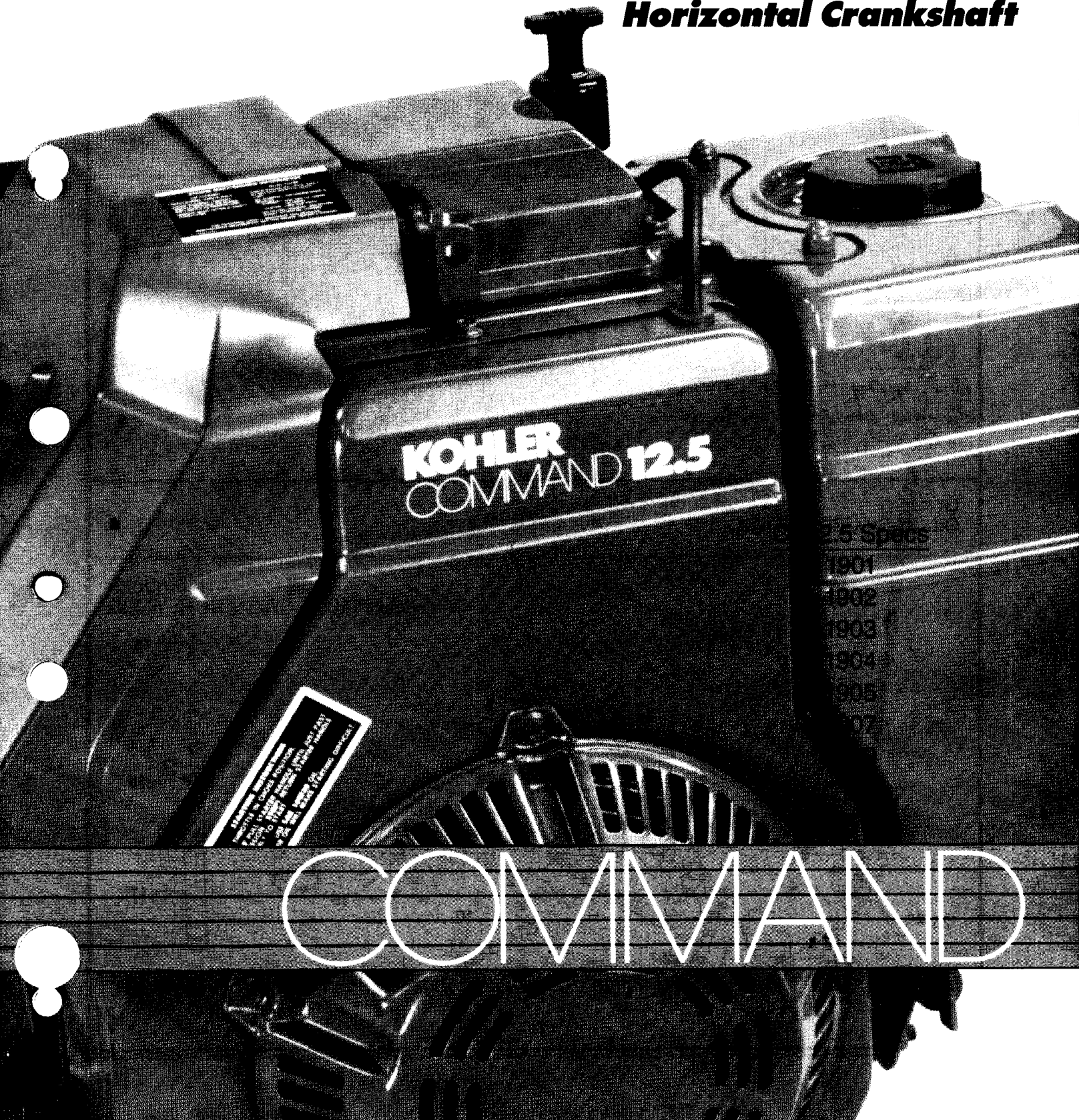


KOHLER[®]engines

Dit is een nieuw model motor

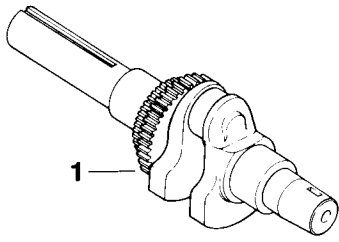
PRELIMINARY PARTS MANUAL **COMMAND 11, 12.5, 14 HP** **Horizontal Crankshaft**



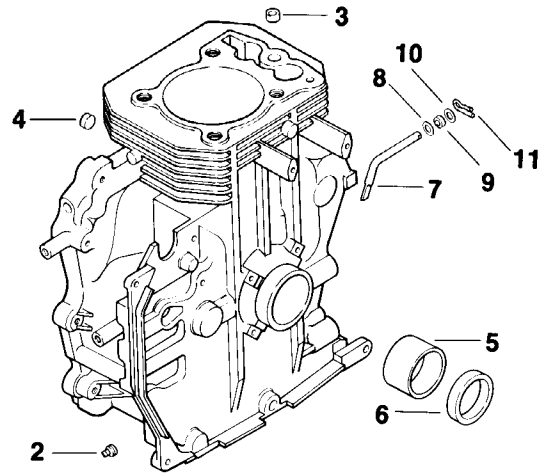
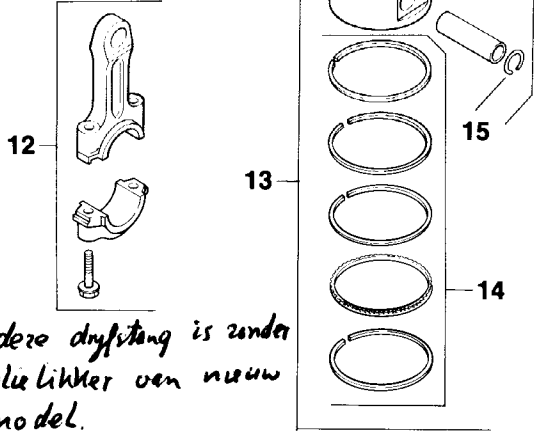
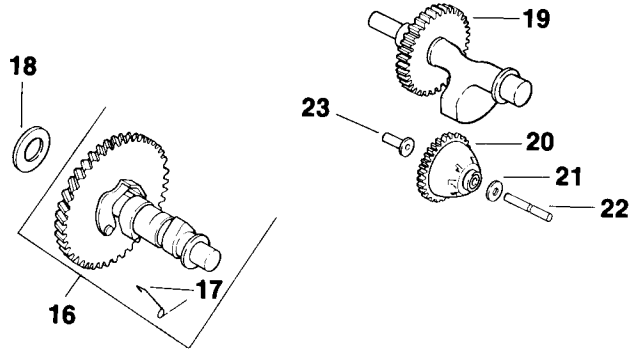
12.5 Specs
1901
1902
1903
1904
1905
1907

COMMAND

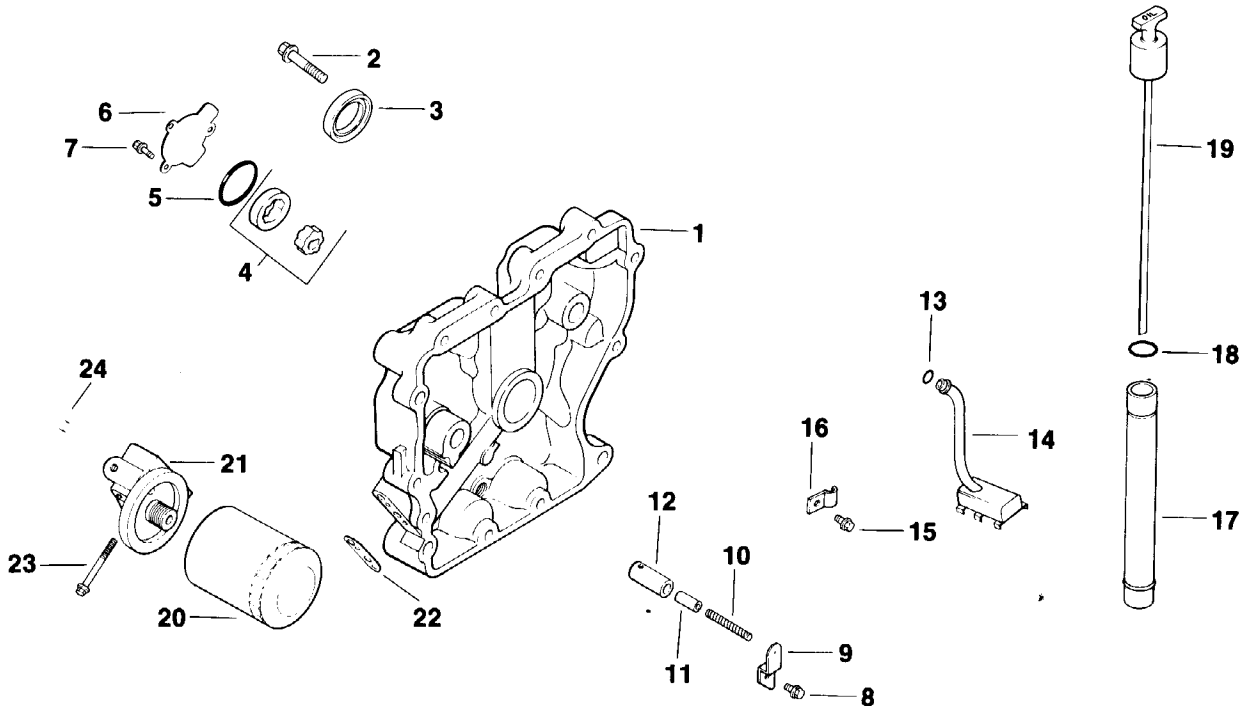
**Group 1
CRANKSHAFT**



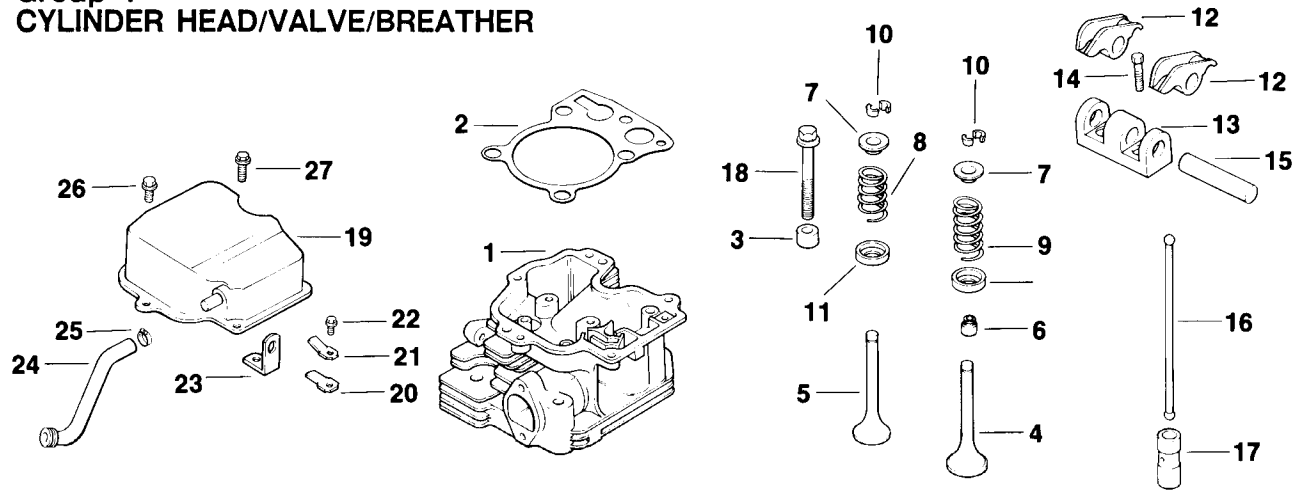
**Group 2
CRANKCASE**



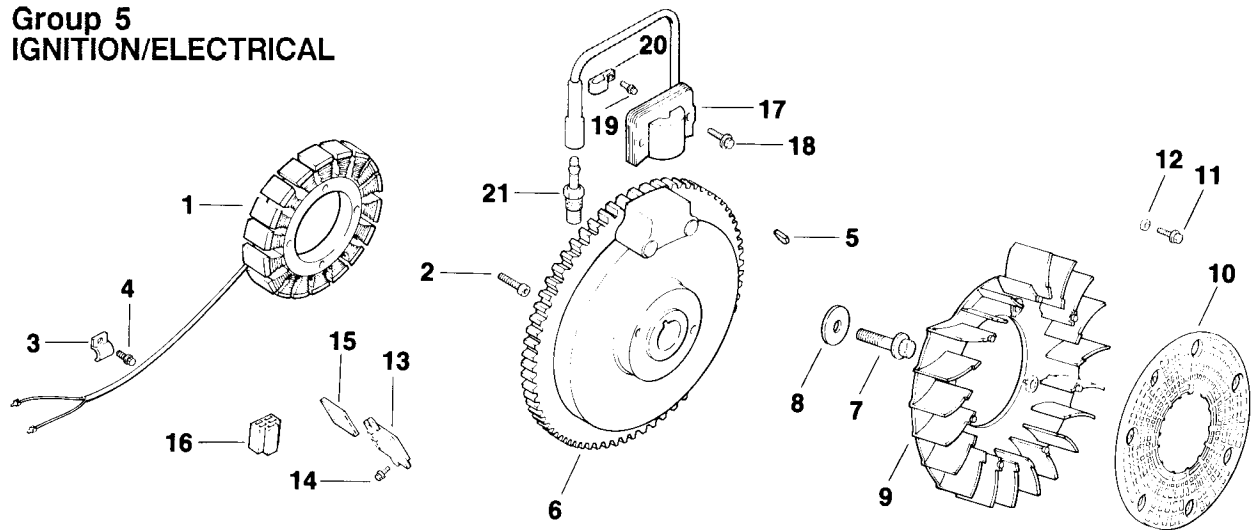
**Group 3
OIL PAN/LUBRICATION**



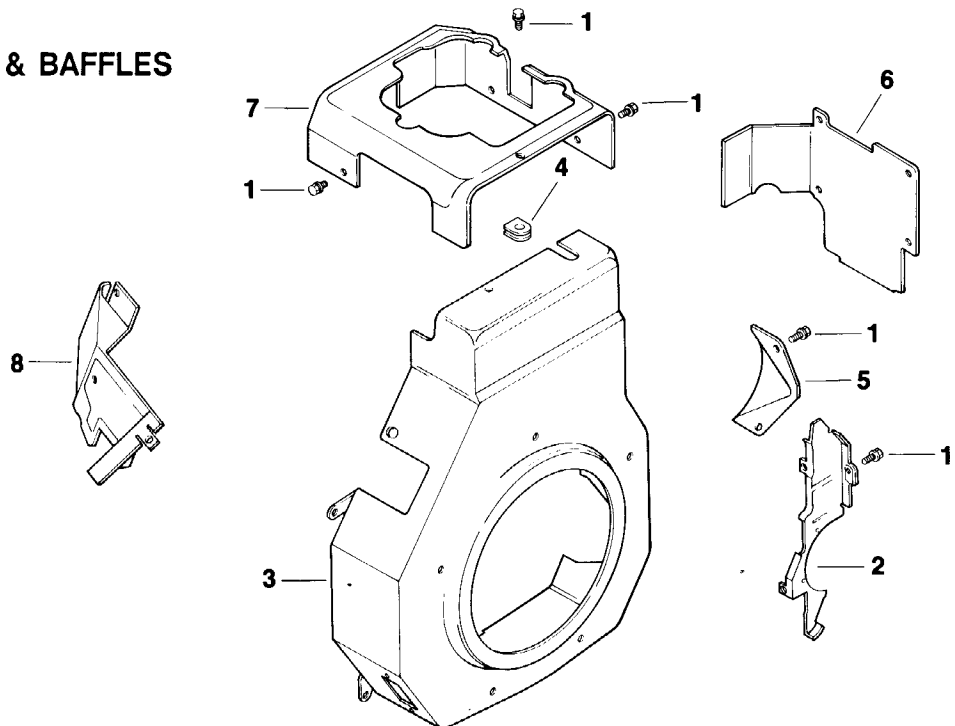
**Group 4
CYLINDER HEAD/VALVE/BREATHER**



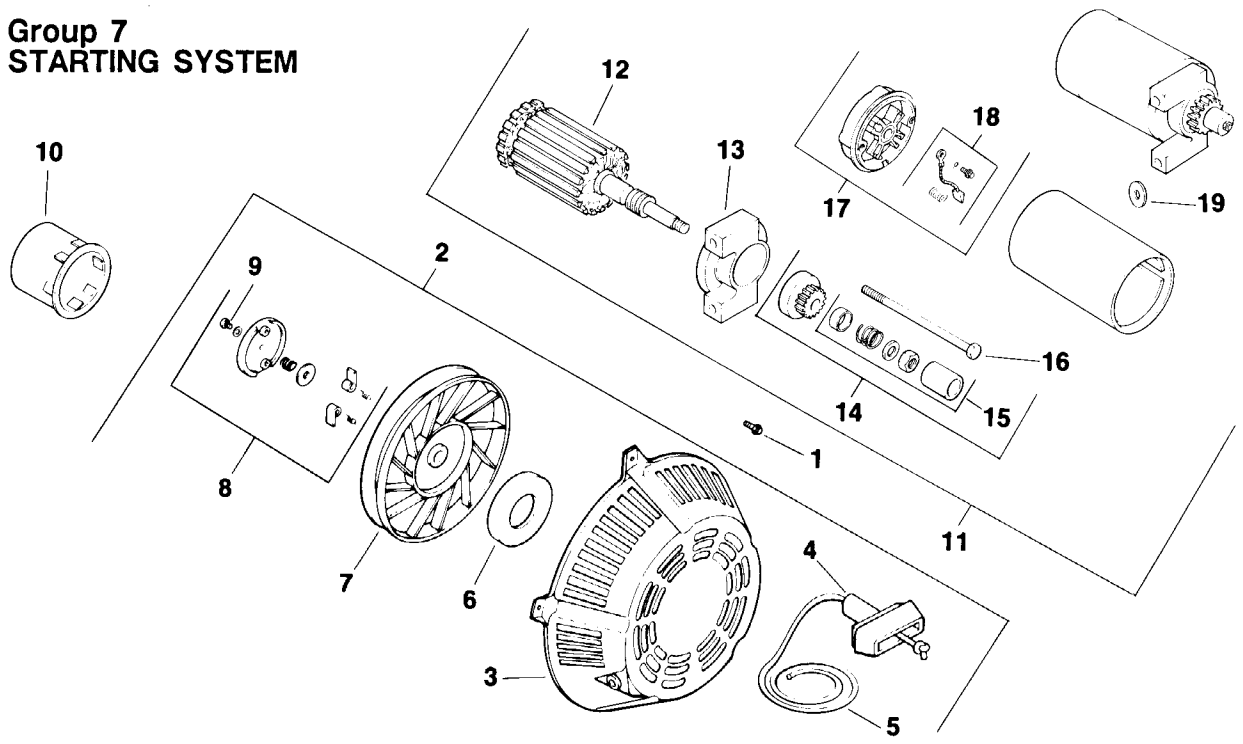
**Group 5
IGNITION/ELECTRICAL**



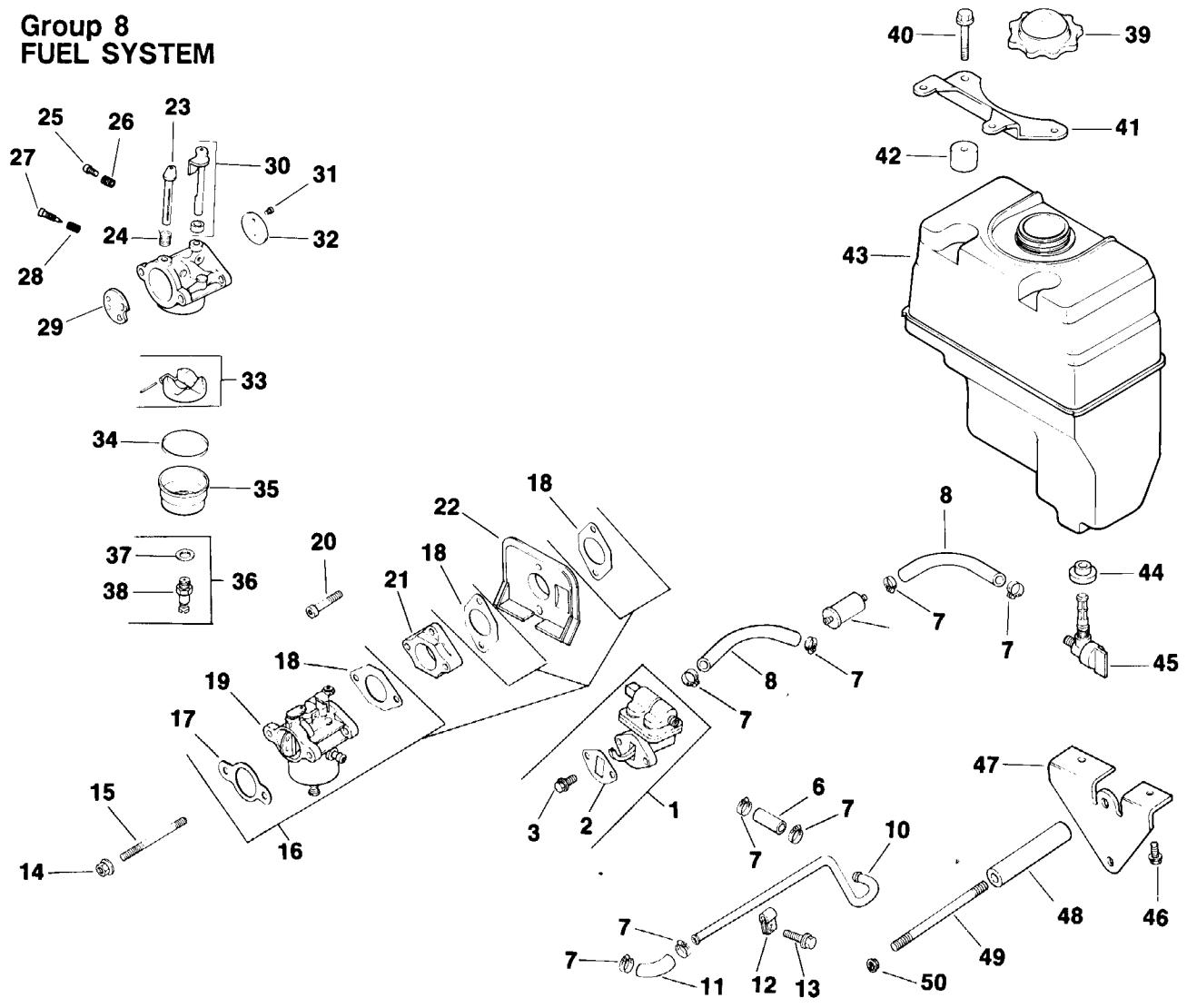
**Group 6
BLOWER HOUSING & BAFFLES**



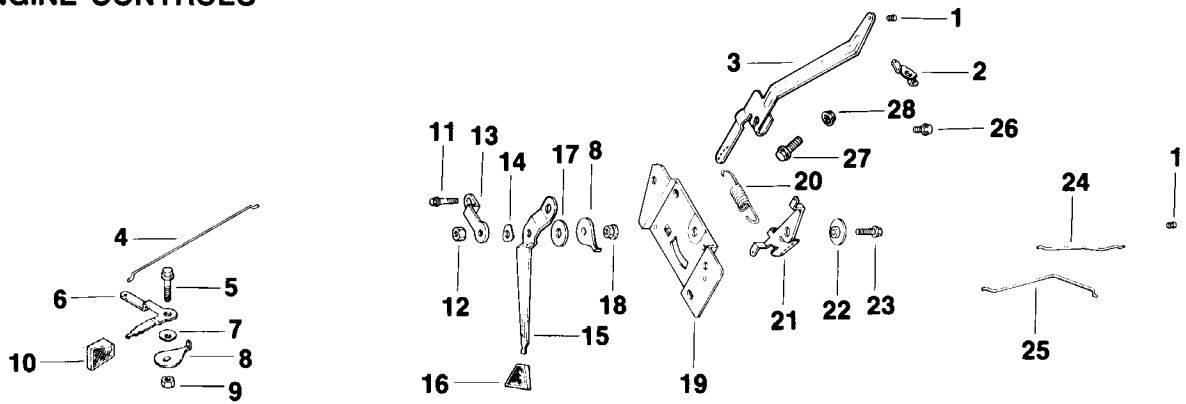
**Group 7
STARTING SYSTEM**



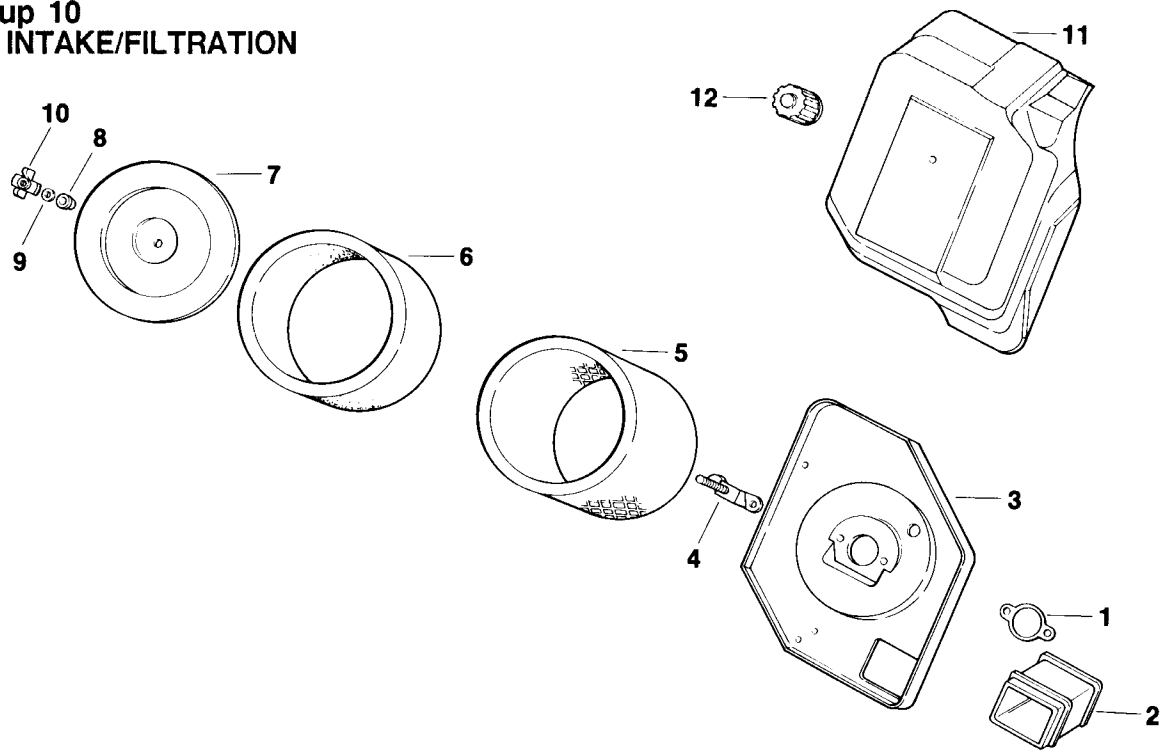
**Group 8
FUEL SYSTEM**



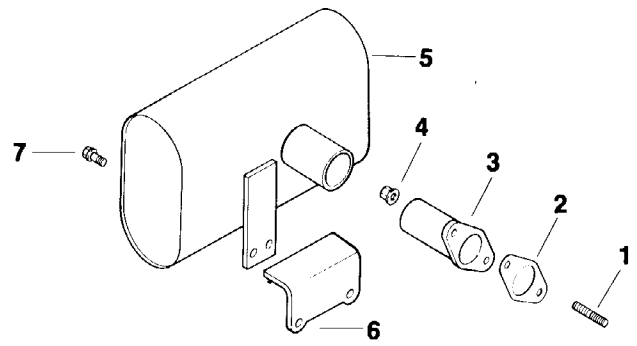
**Group 9
ENGINE CONTROLS**



**Group 10
AIR INTAKE/FILTRATION**



**Group 11
EXHAUST**



CRANKSHAFT - Group 1

1 Crankshaft	12 014 02
--------------	-----------

CRANKCASE - Group 2

1 Block, cylinder (Use: Short block 12 522 04)	
2 Plug, sq. hd. solid 3/8 N.P.T.F.(2) X-75-10	
3 Dowel, locating (4)	12 380 03
4 Plug, cup	52 139 09
5 Bearing, crankshaft (Std.)	
(Flywheel end)	12 030 01
5 Bearing, crankshaft (.25)	12 030 02
5 Bearing, crankshaft (.50)	12 030 03
6 Seal, crankshaft	12 032 03
7 Shaft, governor cross	12 144 01
9 Seal, governor cross shaft	12 032 01
8 Washer, governor shaft	SM-0631015
10 Washer, plain	X-25-102
11 Pin, governor hitch	12 380 04
12 Connecting Rod (Std.)	12 067 01
12 Connecting Rod (.25)	12 067 02
13 Piston w/Ring Set (Std.)	12 874 01
13 Piston w/Ring Set (.25)	12 874 02
13 Piston w/Ring Set (.50)	12 874 03
14 Ring Set (Std.)	12 108 01
14 Ring Set (.25)	12 108 02
14 Ring Set (.50)	12 108 03
15 Retainer, piston pin (2)	12 018 02
16 Camshaft assembly (Includes 16)	12 010 02
17 Spring, actuating	12 089 05
18 Shim, camshaft (A.R.)	12 422 01
18 Shim, camshaft (A.R.)	12 422 02
18 Shim, camshaft	12 422 03
18 Shim, camshaft (A.R.)	12 422 11
18 Shim, camshaft (A.R.)	12 422 12
18 Shim, camshaft (A.R.)	12 422 06
18 Shim, spacer (A.R.)	12 422 07
19 Shaft, balance	12 144 10
20 Gear, governor assembly	12 043 05
21 Washer, governor gear thrust	SM-0631005
22 Shaft, governor gear	12 144 02
23 Pin, governor regulating	12 380 01

OIL PAN/LUBRICATION - Group 3

1 Plate, closure	12 009 02
2 Screw, closure plate	
M8x1.25x45 (12)	SM-0839045
3 Seal, oil (P.T.O. end)	12 032 03
4 Pump, oil	12 393 01
5 O-Ring, oil pump cover	12 153 05
6 Cover, oil pump	12 096 02
7 Screw, oil pump cover	
M5x0.8x16 (3)	SM-0545016
9 Screw, oil pump relief valve cover	SM-0545010
9 Bracket, oil pump relief bracket	12 126 16
10 Spring, oil pump relief valve	12 089 16
11 Piston, oil pump relief valve	12 462 02
12 Body, oil pump relief valve	12 208 02
13 O-Ring, oil pick-up	12 153 04
14 Oil pickup assembly	12 381 01
15 Screw, oil pick-up tube	SM-0545010
16 Clamp, oil pick-up tube	52 154 01
17 Tube, oil fill	12 123 05
18 O-Ring, oil fill tube	41 153 01
19 Dipstick	12 038 03
20 Filter, oil	52 050 02
21 Adapter, oil filter	12 029 01
22 Gasket, oil filter adapter	12 041 07

23 Screw, adapter mount (2)	M-0639060
24 Pipe, plug	X-75-23

CYLINDER HEAD/VALVE/BREATHER - Group 4

1 Head assembly, cylinder	12 318 01
2 Gasket, cylinder head	12 041 04
3 Spacer, head bolt exhaust port	12 112 04
4 Valve, intake (Std.)	12 017 01
4 Valve, intake (.25)	12 017 02
5 Valve, exhaust (Std.)	12 016 01
5 Valve, exhaust (.25)	12 016 02
6 Seal, valve stem	12 032 02
7 Cap, valve spring (2)	12 173 01
8 Spring, exhaust valve	12 089 01
9 Spring, intake valve	12 089 15
10 Kit, retainer (2)	12 755 03
11 Retainer, spring (2)	52 018 01
12 Arm, rocker (2)	12 186 01
13 Bridge, rocker arm	12 126 05
14 Screw, rocker bridge	
M6x1.0x25 (2)	SM-0645025
15 Shaft, rocker arm	12 144 03
16 Rod, push (2)	12 411 01
17 Lifter, valve (2)	12 351 01
18 Screw, cylinder head	
M10x1.5x80 (5)	M-1040080
19 Cover, valve w/nipple	12 096 07
20 Reed, breather	12 402 01
21 Retainer, breather reed	12 018 01
22 Screw, breather reed retainer	
M5x0.8x10	SM-0545010
23 Strap, lifting (PTO side)	12 445 05
24 Hose, breather	12 326 07
25 Clamp, hose	X-426-9
26 Screw, valve cover M6x1.0x20 (2)	SM-0645020
27 Screw, valve cover M6x1.0x25 (3)	SM-0645025
NOT ILLUSTRATED	
Kit, cylinder head	12 755 02

IGNITION/ELECTRICAL - Group 5

5 Key	X-42-15
6 Flywheel	12 025 05
7 Screw, flywheel	M-1040045
8 Washer, flywheel	52 468 15
9 Fan	12 157 01
10 Screen, grass	12 162 03
11 Screw, fan (4)	SM-0639016
12 Spacer (4)	12 112 01
17 Module, ignition	12 584 02
18 Screw, ign. module M5x0.8x20 (2)	SM-0545020
19 Clip, kill lead	X-728-1
20 Screw, lead clip	SM-0545010
21 Spark plug	12 132 02
NOT ILLUSTRATED	
Lead, white, ground to kill	12 518 01
Screw (4)	12 086 09

BLOWER HOUSING & BAFFLES - Group 6

1 Screw, mounting M5x0.8x10 (14)	SM-0545010
2 Plate, blower housing	12 146 01
3 Kit, blower housing	12 027 03
4 Grommet, blower housing	12 313 03
5 Cover, starter	12 096 05
6 Baffle, cylinder barrel	12 063 01
7 Baffle, cylinder head	12 063 03
8 Baffle, carburetor	12 063 02
NOT ILLUSTRATED	
Cover, reg/rect.	41 096 23

Screw, hex flange (2)	SM-0639016
Decal, horsepower	12 113 02

STARTING SYSTEM - Group 7

1 Screw (5)	SM-0545010
2 Starter assy., retractable (Includes 3-9)	12 165 01
3 Housing, starter	12 081 01
4 Handle, recoil start	234452
5 Rope, starter	12 160 01
6 Spring & keeper	12 089 06
7 Pulley	12 093 01
8 Kit, pawl (dog) repair	12 757 06
9 Screw, pozdrive	41 086 09
10 Cup, drive	15 109 01
NOT ILLUSTRATED	
Decal, starting	12 113 07

FUEL SYSTEM - Group 8

1 Kit, fuel pump (Includes 2 & 3)	12 559 01
2 Screw, fuel pump mounting (2)	SM-0645020
3 Gasket, fuel pump (2)	25 041 05
4 Connector, hose	25 155 02
5 Connector, straight hose	X-380-1
6 Hose, fuel line	12 353 01
7 Clamp, fuel line (8)	X-426-9
8 Line, fuel filter to pump (2)	25 353 08
9 Filter, fuel	25 050 01
10 Line, fuel - metal	12 123 06
11 Line, fuel - valve to filter	12 353 07
12 Clamp, fuel line	12 154 01
13 Screw, fuel line connecting	SM-0545010
14 Nut, carburetor M6x1.0 (2)	SM-0641060
15 Stud, carburetor (2)	M-0629085
16 Kit, carburetor w/gasket (Includes 17-19,23-38)	12 853 12
17 Gasket, carburetor (3)	12 041 01
18 Gasket, air filter	12 041 02
19 Carburetor assembly (for information only not available separately)	12 053 14
20 Screw, carburetor adapter (2)	M-0644035
21 Adapter, carburetor	12 029 04
22 Deflector, heat	12 265 01
23 Shaft, choke	12 144 08
24 Spring, choke return	12 089 10
25 Screw, idel speed adjusting	12 086 04
26 Spring, idle speed adjusting	12 089 09
27 Needle, idle fuel adjusting	12 368 01
28 Spring idle fuel adjusting	12 089 09
29 Plate, choke	12 146 02
30 Shaft, throttle w/lever and seal	12 144 09
31 Screw, throttle plate	25 086 27
32 Plate, throttle	12 146 03
33 Kit, float repair	12 757 02
34 Gasket, bowl	12 041 05
35 Bowl, fuel	12 104 01
36 Kit, adjustable power needle (Includes 37 & 38)	Part number N/A
37 Needle assy., power adjusting	Part number N/A
38 Gasket, bowl retainer	12 041 06
39 Cap	15 173 02
40 Screw	Part number N/A
41 Bracket, upper tank	12 126 20
42 Spacer	Part number N/A
43 Tank, fuel	12 065 01
44 Grommet, shut-off valve mount	25 313 01
45 Valve, shut-off	25 462 03

46 Screw, tank mtg. M6x1.0x12 (2)	M-0639012
47 Bracket, lower tank	12 126 18
48 Spacer, lower bracket (2)	12 112 08
49 Stud M8x1.25x135 (2)	M-0829128
50 Nut M8x1.25 (2)	SM-0841080
NOT ILLUSTRATED	
Kit, carburetor repair	12 757 01

ENGINE CONTROLS - Group 9

1 Bushing (2)	25 158 08
2 Lever, choke - upper	12 090 14
3 Lever, governor	12 090 11
4 Link, choke - lower	12 079 06
5 Screw M5x0.8x20	SM-0545020
6 Lever, choke - lower	12 090 16
7 Washer, wave	41 468 03
8 Tab, lock (2)	12 448 01
9 Nut, locking M5x0.8	M-0547050
10 Knob, choke lever	41 341 03
11 Screw, plate (2)	SM-0645020
12 Nut, locking M5x0.8	M-0547050
13 Bracket, lock	12 126 17
14 Washer, wave	12 468 02
15 Lever, throttle - outer	12 090 17
16 Knob, throttle lever	41 341 03
17 Washer, plain nylon	M-0531010
18 Nut, hex M5x0.8	M-0541050
19 Plate, control assembly	12 146 05
20 Spring, governor	12 089 17
21 Lever, throttle - inner	12 090 13
22 Spacer, shoulder	12 112 07
23 Screw, M5x0.8x25	M-0539025
24 Link, throttle	12 079 04
25 Link, choke - upper	12 079 05
26 Screw, M5x0.8x10	SM-0545010
27 Screw, gov. arm M6x1.0x25	SM-0642025
28 Nut, M6x1.0	SM-0641060

AIR INTAKE/FILTRATION - Group 10

1 Gasket, air cleaner	12 041 02
2 Tube, air intake	12 123 07
3 Base, air cleaner	12 094 02
4 Bracket, air cleaner	12 126 10
5 Element, air cleaner	47 083 01
6 Precleaner, element	52 083 01
7 Cover, element	12 096 08
8 Grommet	12 313 04
9 Washer, plain 17/64x1/2x1/16	X-25-63
10 Wing nut	12 100 01
11 Cover, air cleaner	12 096 09
12 Knob, air cleaner cover	12 341 01
NOT ILLUSTRATED	
Decal, air cleaner	12 113 04

EXHAUST - Group 11

1 Stud, exhaust manifold M8x1.25x20(2)	M-0829036
2 Gasket, exhaust manifold	12 041 03
3 Manifold, exhaust	12 164 02
4 Nut, muffler mounting M8x1.25 (2)	SM-0841080
5 Muffler	12 068 05
6 Bracket, muffler	12 126 19
7 Screw, muffler bracket mtg. (2)	SM-0639016

Short Block	12 522 04
Gasket Set w/seals	12 755 01

CRANKSHAFT - Group 1

1 Crankshaft	12 014 02
--------------	-----------

CRANKCASE - Group 2

1 Block, cylinder (Use: Short block	12 522 04)
2 Plug, sq. hd. solid 3/8 N.P.T.F (2)	X-75-10
3 Dowel, locating (4)	12 380 03
4 Plug, cup	52 139 09
5 Bearing, crankshaft (Std.)	
(Flywheel end)	12 030 01
5 Bearing, crankshaft (.25)	12 030 02
5 Bearing, crankshaft (.50)	12 030 03
6 Seal, crankshaft	12 032 03
7 Shaft, governor cross	12 144 01
8 Washer, governor shaft	SM-0631015
9 Seal, governor cross shaft	12 032 01
10 Washer, plain	X-25-102
11 Pin, governor hitch	12 380 04
12 Connecting Rod (Std.)	12 067 01
12 Connecting Rod (.25)	12 067 02
13 Piston w/Ring Set (Std.)	12 874 01
13 Piston w/Ring Set (.25)	12 874 02
13 Piston w/Ring Set (.50)	12 874 03
14 Ring Set (Std.)	12 108 01
14 Ring Set (.25)	12 108 02
14 Ring Set (.50)	12 108 03
15 Retainer, piston pin (2)	12 018 02
16 Camshaft assembly (Includes 17)	12 010 02
17 Spring, actuating	12 089 05
18 Shim, camshaft (A.R.)	12 422 01
18 Shim, camshaft (A.R.)	12 422 02
18 Shim, camshaft	12 422 03
18 Shim, camshaft (A.R.)	12 422 11
18 Shim, camshaft (A.R.)	12 422 12
18 Shim, camshaft (A.R.)	12 422 06
18 Shim, spacer (A.R.)	12 422 07
19 Shaft, balance	12 144 10
20 Gear, governor assembly	12 043 05
21 Washer, governor gear thrust	SM-0631005
22 Shaft, governor gear	12 144 02
23 Pin, governor regulating	12 380 01

OIL PAN/LUBRICATION - Group 3

1 Plate, closure	12 009 02
2 Screw, c.p. M8x1.25x45 (12)	SM-0839045
3 Seal, oil (P.T.O. end)	12 032 03
4 Pump, oil	12 393 01
5 O-Ring, oil pump cover	12 153 05
6 Cover, oil pump	12 096 02
7 Screw, oil pump cover	
M5x0.8x16(3)	SM-0545016
8 Screw, oil pump relief valve cover	SM-0545010
9 Bracket, oil pump relief bracket	12 126 16
10 Spring, oil pump relief valve	12 089 16
11 Piston, oil pump relief valve	12 462 02
12 Body, oil pump relief valve	12 208 02
13 O-Ring, oil pick-up	12 153 04
14 Oil pickup assembly	12 381 01
15 Screw, oil pick-up tube	SM-0545010
16 Clamp, oil pick-up tube	52 154 01
17 Tube, oil fill	12 123 05
18 O-Ring, oil fill tube	41 153 01
19 Dipstick	12 038 03
20 Filter, oil	52 050 02
21 Adapter, oil filter	12 029 01
22 Gasket, oil filter adapter	12 041 07
23 Screw, adapter mount (2)	M-0639060
24 Pipe, plug	X-75-23

CYLINDER HEAD/VALVE/BREATHER - Group 4

1 Head assembly, cylinder	12 318 01
2 Gasket, cylinder head	12 041 04

3 Spacer, head bolt exhaust port	12 112 04
4 Valve, intake (Std.)	12 017 01
4 Valve, intake (.25)	12 017 02
5 Valve, exhaust (Std.)	12 016 01
5 Valve, exhaust (.25)	12 016 02
6 Seal, valve stem	12 032 02
7 Cap, valve spring (2)	12 173 01
8 Spring, exhaust valve	12 089 01
9 Spring, intake valve	12 089 15
10 Kit, retainer (2)	12 755 03
11 Retainer, spring (2)	52 018 01
12 Arm, rocker (2)	12 186 01
13 Bridge, rocker arm	12 126 05
14 Screw, rocker bridge	
M6x1.0x25 (2)	SM-0645025
15 Shaft, rocker arm	12 144 03
16 Rod, push (2)	12 411 01
17 Lifter, valve (2)	12 351 01
18 Screw, cylinder head	
M10x1.5x80 (5)	M-1040080
19 Cover, valve w/nipple	12 096 07
20 Reed, breather	12 402 01
21 Retainer, breather reed	12 018 01
22 Screw, breather reed ret.	
M5x0.8x10	SM-0545010
23 Strap, lifting (PTO side)	12 445 05
24 Hose, breather	12 326 07
25 Clamp, hose	X-426-9
26 Screw, valve cover M6x1.0x20 (2)	SM-0645020
27 Screw, valve cover M6x1.0x25 (3)	SM-0645025
NOT ILLUSTRATED	
Kit, cylinder head	12 755 02

IGNITION/ELECTRICAL - Group 5

1 Stator - 15 amp.	41 085 07
2 Screw, stator mtg. M5x0.8x25 (4)	SM-0544025
3 Clip, stator harness	12 154 02
4 Screw, harness clip M5x0.8x10	SM-0545010
5 Key	X-42-15
6 Flywheel	12 025 01
7 Screw, flywheel mounting	M-1040045
8 Washer, flywheel mtg. screw	52 468 15
9 Fan	12 157 01
11 Screw, fan mounting (4)	SM-0639016
12 Spacer, fan (4)	12 112 01
13 Rectifier-regulator	41 403 09
14 Screw, rect.-reg. M6x1.0x16 (2)	SM-0639016
15 Connector, rect.-reg. (3 contact)	236602
16 Connector	48 155 01
17 Module, ignition	12 584 01
18 Screw, ign. module (2) M5x0.8x20	SM-0545020
19 Clip, kill lead	X-728-1
20 Screw, lead clip	SM-0545010
21 Spark plug	12 132 02
NOT ILLUSTRATED	
Screen, grass - rotating	12 162 01
Lead, black, rect. to connector (5"-	
14 gauge-uninsulated push-on tab	
terminals)	25 518 05
Lead, white, ground to kill	12 518 01

BLOWER HOUSING & BAFFLES - Group 6

1 Screw, mounting M5x0.8x10 (14)	SM-0545010
2 Plate, blower housing	12 146 01
3 Kit, blower housing	12 027 03
4 Grommet, blower housing	12 313 03
5 Cover, starter	Part number N/A
6 Baffle, cylinder barrel	12 063 01
7 Baffle, cylinder head	12 063 03
8 Baffle, carburetor	12 063 02
NOT ILLUSTRATED	
Decal, horsepower	12 113 02

STARTING SYSTEM - Group 7

11	Kit, bendix starter (Includes 12-19)	12 098 05
12	Assembly, armature	12 170 02
13	Cap, drive end	12 227 01
14	Kit, drive (Includes 15)	12 755 12
15	Kit, drive parts	12 755 06
16	Screw, hex flange	12 086 02
17	Cap, commutator end (Includes 18)	12 243 01
18	Kit, brush and spring	48 755 15
19	Washer (2)	12 468 01

NOT ILLUSTRATED

Lubricant	52 357 01
-----------	-----------

FUEL SYSTEM - Group 8

1	Kit, fuel pump (Includes 2 & 3)	12 559 01
2	Gasket, fuel pump (2)	25 041 05
3	Screw, fuel pump mounting (2)	SM-0645020
4	Connector, hose	25 155 02
5	Connector, straight hose	X-380-1
6	Hose, fuel line	12 353 01
7	Clamp, fuel line (8)	X-426-9
9	Filter, fuel	25 050 01
10	Line, fuel - metal	12 123 06
11	Line, fuel - valve to filter	12 353 07
12	Clamp, fuel line	12 154 01
13	Screw, fuel line connecting	SM-0545010
14	Nut, carburetor M6x1.0 (2)	SM-0641060
15	Stud, carburetor (2)	M-0629085
16	Kit, carburetor w/gasket	12 853 12
17	Gasket, carburetor (3)	12 041 01
18	Gasket, air filter	12 041 02
19	Carburetor assembly (for information only not available separately)	12 053 14
20	Screw, carburetor adapter (2)	M-0644035
21	Adapter, carburetor	12 029 04
22	Deflector, heat	12 265 01
23	Shaft, choke	12 144 08
24	Spring, choke return	12 089 10
25	Screw, idle speed adjusting	12 086 04
26	Spring, idle speed adjusting	12 089 09
28	Spring, idle fuel adjusting	12 089 09
27	Needle, idle fuel adjusting	12 368 01
29	Plate, choke	12 146 02
30	Shaft, throttle w/lever and seal	12 144 09
31	Screw, throttle plate	25 086 27
32	Plate, throttle	12 146 03
33	Kit, float repair	12 757 02
34	Gasket, bowl	12 041 05
35	Bowl, fuel	12 104 01
36	Kit, adjustable power needle	Part number N/A
37	Needle assy., power adjusting	Part number N/A
38	Gasket, bowl retainer	12 041 06
39	Cap	15 173 02
40	Screw (2)	Part number N/A
41	Bracket, upper tank	12 126 20
42	Spacer (2)	Part number N/A
43	Tank, fuel	12 065 01
44	Grommet, shut-off valve mount	25 313 01
45	Valve, shut-off	25 462 03
46	Screw, tank mtg. M6x1.0x12 (2)	M-0639012
47	Bracket, lower tank	12 126 18
48	Spacer, lower bracket (2)	12 112 09
49	Stud M8x1.25x135 (2)	M-0829128
50	Nut M8x1.25 (2)	SM-0841080

NOT ILLUSTRATED

Kit, carburetor repair	12 757 01
------------------------	-----------

ENGINE CONTROLS - Group 9

1	Bushing (2)	25 158 08
2	Lever, choke - upper	12 090 14
3	Lever, governor	12 090 11
4	Link, choke - lower	12 079 06
5	Screw M5x0.8x20	SM-0545020
6	Lever, choke - lower	12 090 16
7	Washer, wave	41 468 03
8	Tab, lock (2)	12 448 01
9	Nut, locking M5x0.8	M-0547050
10	Knob, choke lever	41 341 03
11	Screw, plate (2)	SM-0645020
12	Nut, locking M5x0.8	M-0547050
13	Bracket, lock	12 126 17
14	Washer, wave	12 468 02
15	Lever, throttle - outer	12 090 17
16	Knob, throttle lever	41 341 03
17	Washer, plain nylon	M-0531010
18	Nut, hex M5x0.8	M-0541050
19	Plate, control assembly	12 146 05
20	Spring, governor	12 089 17
21	Lever, throttle - inner	12 090 13
22	Spacer, shoulder	12 112 07
23	Screw, M5x0.8x25	M-0539025
24	Link, throttle	12 079 04
25	Link, choke - upper	12 079 05
26	Screw, M5x0.8x10	SM-0545010
27	Screw, gov. arm M6x1.0x25	SM-0642025
28	Nut, M6x1.0	SM-0641060

AIR INTAKE/FILTRATION - Group 10

1	Gasket, air cleaner	12 041 02
2	Tube, air intake	12 123 07
3	Base, air cleaner	12 094 02
4	Bracket, air cleaner	12 126 10
5	Element, air cleaner	47 083 01
6	Precleaner, element	52 083 01
7	Cover, element	12 096 08
8	Grommet	12 313 04
9	Washer, plain 17/64x1/2x1/16	X-25-63
10	Wing nut	12 100 01
11	Cover, air cleaner	12 096 09
12	Knob, air cleaner cover	12 341 01

NOT ILLUSTRATED

Decal, air cleaner	12 113 04
--------------------	-----------

EXHAUST - Group 11

1	Stud, ex. manifold M8x1.25x20 (2)	M-0829036
2	Gasket, exhaust manifold	12 041 03
3	Manifold, exhaust	12 164 02
4	Nut, muffler mounting M8x1.25 (2)	SM-0841080
5	Muffler	12 068 05
6	Bracket, muffler	12 126 19
7	Screw, muffler bracket mtg. (2)	SM-0639016

Short Block	12 522 04
Gasket Set w/seals	12 755 01

CRANKSHAFT - Group 1

1 Crankshaft 12 014 02

CRANKCASE - Group 2

1 Block, cylinder (Use: Short block 12 522 04)
2 Plug, sq. hd solid 3/8 N.P.T.F. (2) X-75-10
3 Dowel, locating (4) 12 380 03
4 Plug, cup 52 139 09
5 Bearing, crankshaft (Std.)
(Flywheel end) 12 030 01
5 Bearing, crankshaft (.25) 12 030 02
5 Bearing, crankshaft (.50) 12 030 03
6 Seal, crankshaft 12 032 03
7 Shaft, governor cross 12 144 01
8 Washer, governor shaft SM-0631015
9 Seal, governor cross shaft 12 032 01
10 Washer, plain X-25-102
11 Pin, governor hitch 12 380 04
12 Connecting Rod (Std.) 12 067 01
12 Connecting Rod (.25) 12 067 02
13 Piston w/Ring Set (Std.) 12 874 01
13 Piston w/Ring Set (.25) 12 874 02
13 Piston w/Ring Set (.50) 12 874 03
14 Ring Set (Std.) 12 108 01
14 Ring Set (.25) 12 108 02
14 Ring Set (.50) 12 108 03
15 Retainer, piston pin (2) 12 018 02
16 Camshaft assembly (Includes 17) 12 010 02
17 Spring, actuating 12 089 05
18 Shim, camshaft (A.R.) 12 422 01
18 Shim, camshaft (A.R.) 12 422 02
18 Shim, camshaft 12 422 03
18 Shim, camshaft (A.R.) 12 422 11
18 Shim, camshaft (A.R.) 12 422 12
18 Shim, camshaft (A.R.) 12 422 06
18 Shim, spacer (A.R.) 12 422 07
19 Shaft, balance 12 144 10
20 Gear, governor assembly 12 043 05
21 Washer, governor gear thrust SM-0631005
22 Shaft, governor gear 12 144 02
23 Pin, governor regulating 12 380 01

OIL PAN/LUBRICATION - Group 3

1 Plate, closure 12 009 02
2 Screw, c.p. M8x1.25x45 (12) SM-0839045
3 Seal, oil (P.T.O. end) 12 032 03
4 Pump, oil 12 393 01
5 O-Ring, oil pump cover 12 153 05
6 Cover, oil pump 12 096 02
7 Screw, oil pump cover
M5x0.8x16(3) SM-0545016
8 Screw, oil pump relief valve cover SM-0545010
9 Bracket, oil pump relief bracket 12 126 16
10 Spring, oil pump relief valve 12 089 16
11 Piston, oil pump relief valve 12 462 02
12 Body, oil pump relief valve 12 208 02
13 O-Ring, oil pickup 12 153 04
14 Oil pick-up assembly 12 381 01
15 Screw, oil pick-up tube SM-0545010
16 Clamp, oil pick-up tube 52 154 01
17 Tube, oil fill 12 123 05
18 O-Ring, oil fill tube 41 153 01
19 Dipstick 12 038 03
20 Filter, oil 52 050 02
21 Adapter, oil filter 12 029 01
22 Gasket, oil filter adapter 12 041 07
23 Screw, adapter mount (2) M-0639060
24 Plug, pipe X-75-23

CYLINDER HEAD/VALVE/BREATHER - Group 4

1 Head assembly, cylinder 12 318 01
2 Gasket, cylinder head 12 041 04
3 Spacer, head bolt exhaust port 12 112 04

4 Valve, intake (Std.) 12 017 01
4 Valve, intake (.25) 12 017 02
5 Valve, exhaust (Std.) 12 016 01
5 Valve, exhaust (.25) 12 016 02
6 Seal, valve stem 12 032 02
7 Cap, valve spring (2) 12 173 01
8 Spring, exhaust valve 12 089 01
9 Spring, intake valve 12 089 15
10 Kit, retainer (2) 12 755 03
11 Retainer, spring (2) 52 018 01
12 Arm, rocker (2) 12 186 01
13 Bridge, rocker arm 12 126 05
14 Screw, rocker bridge
M6x1.0x25 (2) SM-0645025
15 Shaft, rocker arm 12 144 03
16 Rod, push (2) 12 411 01
17 Lifter, valve (2) 12 351 01
18 Screw, cyl. head M10x1.5x80 (5) M-1040080
19 Cover, valve w/nipple 12 096 07
20 Reed, breather 12 402 01
21 Retainer, breather reed 12 018 01
22 Screw, reed retainer M5x0.8x10 SM-0545010
23 Strap, lifting (PTO side) 12 445 05
24 Hose, breather 12 326 07
25 Clamp, hose X-426-9
26 Screw, valve cover M6x1.0x20 (2) SM-0645020
27 Screw, valve cover M6x1.0x25 (3) SM-0645025

NOT ILLUSTRATED

Kit, cylinder head 12 755 02

IGNITION/ELECTRICAL - Group 5

1 Stator assembly - 15 amp. 41 085 07
2 Screw, stator mtg. M5x0.8x25(4) SM-0544025
3 Clip, stator harness 12 154 02
4 Screw, harness clip M5x0.8x10 SM-0545010
5 Key X-42-15
6 Flywheel 12 025 01
7 Screw, flywheel M-1040045
8 Washer, flywheel 52 468 15
9 Fan 12 157 01
10 Screen, grass 12 162 03
11 Screw, fan (4) SM-0639016
12 Spacer, fan (4) 12 112 01
13 Rectifier-regulator 41 403 09
14 Screw, rect. - reg. M6x1.0x16(2) SM-0639016
15 Connector, rect.- reg. (3 contact) 236602
16 Connector 48 155 01
17 Module, ignition 12 584 01
18 Screw, ign. module M5x0.8x20 (2) SM-0545020
19 Clip, kill lead X-728-1
20 Screw, lead clip SM-0545010
21 Spark plug 12 132 02

NOT ILLUSTRATED

Lead, black, rect.-reg. to connector
(5" - 14 gauge - un-insulated push-on
tab terminals) 25 518 05
Lead, white, ground to kill 12 518 01

BLOWER HOUSING & BAFFLES - Group 6

1 Screw, mtg. M5x0.8x10 (14) SM-0545010
2 Plate, blower housing 12 146 01
3 Kit, blower housing 12 027 03
4 Grommet, blower housing 12 313 03
5 Cover, starter Part number N/A
6 Baffle, cylinder barrel 12 063 01
7 Baffle, cylinder head 12 063 03
8 Baffle, carburetor 12 063 02

STARTING SYSTEM - Group 7

1 Screw (5) SM-0545010
2 Starter assy, retrac. (Includes 3-9) 12 165 01
3 Housing, starter 12 081 01
4 Handle, recoil start 234452

BASIC ST

5	Rope, starter	12 160 01
6	Spring & keeper	12 089 06
7	Pulley	12 093 01
8	Kit, dog (pawl) repair	12 757 06
9	Screw, pozdrive	41 086 09
10	Cup, drive	15 109 01
11	Kit, bendix starter (Includes 12-19)	12 098 05
12	Assembly, armature	12 170 02
13	Cap, drive end	12 227 01
14	Kit, drive (Includes 15)	12 755 12
15	Kit, drive parts	12 755 06
16	Screw, hex flange	12 086 02
17	Cap, commature end (Includes 18)	12 243 01
18	Kit, brush and spring	48 755 15
19	Washer (2)	12 468 01
NOT ILLUSTRATED		
	Decal, starting	12 113 07
	Lubricant, starter	52 357 01

FUEL SYSTEM - Group 8

1	Kit, fuel pump (Includes 2 & 3)	12 559 01
2	Gasket, fuel pump (2)	25 041 05
3	Screw, fuel pump mounting (2)	SM-0645020
4	Connector, hose straight	25 155 02
5	Connector, hose	X-380-1
6	Hose, fuel line	12 353 01
7	Clamp, fuel line (8)	X-426-9
8	Line, fuel filter to pump (2)	25 353 08
9	Filter, fuel	25 050 01
10	Line, fuel - metal	12 123 06
11	Line, fuel - valve to filter	12 353 07
12	Clamp, fuel line	12 154 01
13	Screw, fuel line connecting	SM-0545010
14	Nut, carburetor M6x1.0 (2)	SM-0641060
15	Stud, carburetor (2)	M-0629085
16	Kit, carburetor w/gasket (Includes 17-19,23-38)	12 853 12
17	Gasket, air filter	12 041 02
18	Gasket, carburetor (3)	12 041 01
19	Carburetor assembly (for information only not available separately)	12 053 14
20	Screw, carburetor adapter (2)	M-0644035
21	Adapter, carburetor	12 029 04
22	Deflector, heat	12 265 01
23	Shaft, choke	12 144 08
24	Spring, choke return	12 089 10
25	Screw, idle speed adjusting	12 086 04
26	Spring, idle speed adjusting	12 089 09
27	Needle, idle fuel adjusting	12 368 01
28	Spring, idle fuel adjusting	12 089 09
29	Plate, choke	12 146 02
30	Shaft, throttle w/lever and seal	12 144 09
31	Screw, throttle plate	25 086 27
32	Plate, throttle	12 146 03
33	Kit, float repair	12 757 02
34	Gasket, bowl	12 041 05
35	Bowl, fuel	12 104 01
36	Kit, adjustable power needle (Includes 37 & 38)	Part number N/A
37	Needle assy., power adjusting	Part number N/A
38	Gasket, bowl retainer	12 041 06
39	Cap	15 173 02
40	Screw (2)	Part number N/A
41	Bracket, upper tank	12 126 20
42	Spacer (2)	Part number N/A
43	Tank, fuel	12 065 01
44	Grommet, shut-off valve mount	25 313 01

45	Valve, shut-off	25 462 03
46	Screw, tank mtg. M6x1.0x12 (2)	M-0639012
47	Bracket, lower tank	12 126 18
48	Spacer, lower bracket (2)	12 112 09
49	Stud M8x1.25x135 (2)	M-0829128
50	Nut M8x1.25 (2)	SM-0841080
NOT ILLUSTRATED		
	Kit, carburetor repair	12 757 01

ENGINE CONTROLS - Group 9

1	Bushing (2)	25 158 08
2	Lever, choke - upper	12 090 14
3	Lever, govern	12 090 11
4	Link, choke - lower	12 079 06
5	Screw M5x0.8x20	SM-0545020
6	Lever, choke - lower	12 090 16
7	Washer, wave	41 468 03
8	Tab, lock (2)	12 448 01
9	Nut, locking M5x0.8	M-0547050
10	Knob, choke lever	41 341 03
11	Screw, plate (2)	SM-0645020
12	Nut, locking M5x0.8	M-0547050
13	Bracket, lock	12 126 17
14	Washer, wave	12 468 02
15	Lever, throttle - outer	12 090 17
16	Knob, throttle lever	41 341 03
17	Washer, nylon plain	M-0531010
18	Nut, hex M5x0.8	M-0541050
19	Plate, control assembly	12 146 05
20	Spring, governor	12 089 17
21	Lever, throttle - inner	12 090 13
22	Spacer, shoulder	12 112 07
23	Screw, M5x0.8x25	M-0539025
24	Link, throttle	12 079 04
25	Link, choke - upper	12 079 05
26	Screw, M5x0.8x10	SM-0545010
27	Screw, gov. arm M6x1.0x25	SM-0642025
28	Nut, M6x1.0	SM-0641060

AIR INTAKE/FILTRATION - Group 10

1	Gasket, air cleaner	12 041 02
2	Tube, air intake	12 123 07
3	Base, air cleaner	12 094 02
4	Bracket, air cleaner	12 126 10
5	Element, air cleaner	47 083 01
6	Precleaner, element	52 083 01
7	Cover, element	12 096 08
8	Grommet	12 313 04
9	Washer, plain 17/64x1/2x1/6	X-25-63
10	Wing nut	12 100 01
11	Cover, air cleaner	12 096 09
12	Knob, air cleaner cover	12 341 01
NOT ILLUSTRATED		
	Decal, air cleaner	12 113 04

EXHAUST - Group 11

1	Stud, ex. manifold M8x1.25x20 (2)	M-0829036	
2	Gasket, exhaust manifold	12 041 03	
3	Manifold, exhaust	12 164 02	
4	Nut, muffler mounting M8x1.25 (2)	SM-0841080	
5	Muffler	12 068 05	
6	Bracket, muffler	12 126 19	
7	Screw, muffler bracket mount (2)	SM-0639016	
Short Block			12 522 04
Gasket Set w/seals			12 755 01

CRANKSHAFT - Group 1

1 Crankshaft Part number N/A

CRANKCASE - Group 2

1 Block, cylinder (Use: Short block 12 522 04)
 2 Plug, sq. hd. solid 3/8 N.P.T.F. (2) X-75-10
 3 Dowel, locating (4) 12 380 03
 4 Plug, cup 52 139 09
 5 Bearing, crankshaft (Std.) (Flywheel end) 12 030 01
 5 Bearing, crankshaft (.25) 12 030 02
 5 Bearing, crankshaft (.50) 12 030 03
 6 Seal, crankshaft 12 032 03
 7 Shaft, governor cross Part number N/A
 8 Washer, governor shaft SM-0631015
 9 Seal, governor cross shaft 12 032 01
 10 Washer, plain X-25-102
 11 Pin, governor hitch 12 380 04
 12 Connecting Rod (Std.) 12 067 01
 12 Connecting Rod (.25) 12 067 02
 13 Piston w/Ring Set (Std.) 12 874 01
 13 Piston w/Ring Set (.25) 12 874 02
 13 Piston w/Ring Set (.50) 12 874 03
 14 Ring Set (Std.) 12 108 01
 14 Ring Set (.25) 12 108 02
 14 Ring Set (.50) 12 108 03
 15 Retainer, piston pin (2) 12 018 02
 16 Camshaft assembly (Includes 17) 12 010 02
 17 Spring, actuating 12 089 05
 18 Shim, camshaft (A.R.) 12 422 01
 18 Shim, camshaft (A.R.) 12 422 02
 18 Shim, camshaft 12 422 03
 18 Shim, camshaft (A.R.) 12 422 11
 18 Shim, camshaft (A.R.) 12 422 12
 18 Shim, camshaft (A.R.) 12 422 06
 18 Shim, spacer (A.R.) 12 422 07
 19 Shaft, balance 12 144 10
 20 Gear, governor assembly 12 043 05
 21 Washer, governor gear thrust SM-0631005
 22 Shaft, governor gear 12 144 02
 23 Pin, governor regulating 12 380 01

NOT ILLUSTRATED

Bearing (2) Part number N/A

OIL PAN/LUBRICATION - Group 3

1 Plate, closure 12 009 03
 2 Screw, closure plate M8x1.25x45 (12) SM-0839045
 3 Seal, oil (P.T.O. end) 12 032 03
 4 Pump, oil 12 393 01
 5 O-Ring, oil pump cover 12 153 05
 6 Cover, oil pump 12 096 02
 7 Screw, oil pump cover M5x0.8x16 (3) SM-0545016
 8 Screw, oil pump relief valve cover SM-0545010
 9 Bracket, oil pump relief bracket 12 126 16
 10 Spring, oil pump relief valve 12 089 16
 11 Piston, oil pump relief valve 12 462 02
 12 Body, oil pump relief valve 12 208 02
 13 O-Ring, oil pickup 12 153 04
 14 Oil pickup assembly 12 381 01
 15 Screw, oil pickup tube SM-0545010
 16 Clamp, oil pickup tube 52 154 01
 17 Tube, oil fill 12 123 05
 18 O-Ring, oil fill tube 41 153 01
 19 Dipstick 12 038 03
 20 Filter, oil 52 050 02

21 Adapter, oil filter 12 029 01
 22 Gasket, oil filter adapter 12 041 07
 23 Screw, adapter mount M6x1.0x60 (2) M-0639060
 24 Plug, pipe X-75-23

CYLINDER HEAD/VALVE/BREATHER - Group 4

1 Head assembly, cylinder 12 318 01
 2 Gasket, cylinder head 12 041 04
 3 Spacer, head bolt exhaust port 12 112 04
 4 Valve, intake (Std.) 12 017 01
 4 Valve, intake (.25) 12 017 02
 5 Valve, exhaust (Std.) 12 016 01
 5 Valve, exhaust (.25) 12 016 02
 6 Seal, valve stem 12 032 02
 7 Cap, valve spring (2) 12 173 01
 8 Spring, exhaust valve 12 089 01
 9 Spring, intake valve 12 089 15
 10 Kit, retainer (2) 12 755 03
 11 Retainer, spring (2) 52 018 01
 12 Arm, rocker (2) 12 186 01
 13 Bridge, rocker arm 12 126 05
 14 Screw, rocker bridge M6x1.0x25 (2) SM-0645025
 15 Shaft, rocker arm 12 144 03
 16 Rod, push (2) 12 411 01
 17 Lifter, valve (2) 12 351 01
 18 Screw, cylinder head M10x1.5x80 (5) M-1040080
 19 Cover, valve w/nipple 12 096 07
 20 Reed, breather 12 402 01
 21 Retainer, breather reed 12 018 01
 22 Screw, breather reed ret. M5x0.8x10 SM-0545010
 23 Strap, lifting (PTO side) 12 445 05
 24 Hose, breather 12 326 07
 25 Clamp, hose X-426-9
 26 Screw, valve cover M6x1.0x20 (2) SM-0645020
 27 Screw, valve cover M6x1.0x25 (3) SM-0645025

NOT ILLUSTRATED

Kit, cylinder head 12 755 02

IGNITION/ELECTRICAL - Group 5

5 Key X-42-15
 6 Flywheel 12 025 05
 7 Screw, flywheel M-1040045
 8 Washer, flywheel 52 468 15
 9 Fan 12 157 01
 10 Screen, grass 12 162 03
 11 Screw, fan (4) SM-0639016
 12 Spacer (4) 12 112 01
 17 Module, ignition 12 584 02
 18 Screw, ign. module M5x0.8x20 (2) SM-0545020
 19 Clip, kill lead X-728-1
 20 Screw, lead clip SM-0545010
 21 Spark plug 12 132 02

NOT ILLUSTRATED

Lead, white, ground to kill 12 518 01
 Screw (4) 12 086 09

BLOWER HOUSING & BAFFLES - Group 6

1 Screw, mtg. M5x0.8x10 (14) SM-0545010
 2 Plate, blower housing 12 146 01
 3 Kit, blower housing 12 027 03
 4 Grommet, blower housing 12 313 03
 5 Cover, starter 12 096 05
 6 Baffle, cylinder barrel 12 063 01
 7 Baffle, cylinder head 12 063 03

BASIC GT

8	Baffle, carburetor	12 063 02	40	Screw	Part number N/A
NOT ILLUSTRATED			41	Bracket, upper tank	12 126 20
	Cover, reg/rect.	41 096 23	42	Spacer	Part number N/A
	Screw, hex flange (2)	SM-0639016	43	Tank, fuel	12 065 01
	Decal, horsepower	12 113 02	44	Grommet, shut-off valve mount	25 313 01
STARTING SYSTEM - Group 7			45	Valve, shut-off	25 462 03
1	Screw (5)	SM-0545010	46	Screw, tank mtg .M6x1.0x12 (2)	M-0639012
2	Starter assy., retractable (Includes 3-9)	12 165 01	47	Bracket, lower tank	12 126 18
3	Housing, starter	12 081 01	48	Spacer, lower bracket (2)	12 112 08
4	Handle, recoil start	234452	49	Stud M8x1.25x135 (2)	M-0829128
5	Rope, starter	12 160 01	50	Nut M8x1.25 (2)	SM-0841080
6	Spring & keeper	12 089 06	NOT ILLUSTRATED		
7	Pulley	12 093 01		Kit, carburetor repair	12 757 01
8	Kit, pawl (dog) repair	12 757 06	ENGINE CONTROLS - Group 9		
9	Screw, pozdrive	41 086 09	1	Bushing (2)	25 158 08
10	Cup, drive	15 109 01	2	Lever, choke - upper	12 090 14
NOT ILLUSTRATED			3	Lever, governor	12 090 11
	Decal, starting	12 113 07	4	Link, choke - lower	12 079 06
FUEL SYSTEM - Group 8			5	Screw, M5x0.8x20	SM-0545020
1	Kit, fuel pump(Includes 2 & 3)	12 559 01	6	Lever, choke - lower	12 090 16
2	Screw, fuel pump mounting (2)	SM-0645020	7	Washer, wave	41 468 03
3	Gasket, fuel pump (2)	25 041 05	8	Tab, lock	12 448 01
4	Connector, hose	25 155 02	9	Nut, locking	M-0547050
5	Connector, straight hose	X-380-1	10	Knob, choke lever	41 341 03
6	Hose, fuel line	12 353 01	11	Screw, plate (2)	SM-0645020
7	Clamp, fuel line (8)	X-426-9	20	Spring, governor	Part number N/A
8	Line, fuel filter to pump (2)	25 353 08	24	Link, throttle	12 079 04
9	Filter, fuel	25 050 01	25	Link, choke - upper	12 079 05
10	Line, fuel - metal	12 123 06	26	Screw M5x0.8x10	SM-0545010
11	Line, fuel - valve to filter	12 353 07	27	Screw, gov. arm M6x1.0x25	SM-0642025
12	Clamp, fuel line	12 154 01	28	Nut, M6x1.0	SM-0641060
13	Screw, fuel line connecting	SM-0545010	NOT ILLUSTRATED		
14	Nut, carburetor M6x1.0 (2)	SM-0641060		Bracket, gov. spring	12 126 22
15	Stud, carburetor (2)	M-0629085	AIR INTAKE/FILTRATION - Group 10		
16	Kit, carburetor w/gasket (Includes 17-19,23-38)	12 853 12	1	Gasket, air cleaner	12 041 02
17	Gasket, carburetor (3)	12 041 01	2	Tube, air intake	12 123 07
18	Gasket, air filter	12 041 02	3	Base, air cleaner	12 094 02
19	Carburetor assembly (for information only not available separately)	12 053 14	4	Bracket, air cleaner	12 126 10
20	Screw, carburetor adapter (2)	M-0644035	5	Element, air cleaner	47 083 01
21	Adapter, carburetor	12 029 04	6	Precleaner, element	52 083 01
22	Deflector, heat	12 265 01	7	Cover, element	12 096 08
23	Shaft, choke	12 144 08	8	Grommet	12 313 04
24	Spring, choke return	12 089 10	9	Washer, plain 17/64x1/2x1/16	X-25-63
25	Screw, idle speed adjusting	12 086 04	10	Wing nut	12 100 01
26	Spring, idle speed adjusting	12 089 09	11	Cover, air cleaner	12 096 09
27	Needle, idle fuel adjusting	12 368 01	12	Knob, air cleaner cover	12 341 01
28	Spring idle fuel adjusting	12 089 09	NOT ILLUSTRATED		
29	Plate, choke	12 146 02		Decal, air cleaner	12 113 04
30	Shaft, throttle w/lever and seal	12 144 09	EXHAUST - Group 11		
31	Screw, throttle plate	25 086 27	1	Stud, exhaust manifold M8x1.25x20 (2)	M-0829036
32	Plate, throttle	12 146 03	2	Gasket, exhaust manifold	12 041 03
33	Kit, float repair	12 757 02	3	Manifold, exhaust	12 164 02
34	Gasket, bowl	12 041 05	4	Nut, muffler mounting M8x1.25 (2)	SM-0841080
35	Bowl, fuel	12 104 01	5	Muffler	12 068 05
36	Kit, adjustable power needle assembly and gasket (Includes 37 & 38)	Part number N/A	6	Bracket, muffler	12 126 19
37	Needle assy., power adjusting	Part number N/A	7	Screw, muffler bracket mtg .(2)	SM-0639016
38	Gasket, bowl retainer	12 041 06	Short Block		
39	Cap	15 173 02	Gasket Set w/seal		
			12 522 04		
			12 755 01		

CRANKSHAFT - Group 1

1 Crankshaft	Part number N/A
--------------	-----------------

CRANKCASE - Group 2

1 Block, cylindred (Use: Shortblock 12 522 04)	
2 Plug, sq. hd. solid 3/8 N.P.T.F. (2)	X-75-10
3 Dowel, locating (4)	12 380 03
4 Plug, cup	52 139 09
5 Bearing, crankshaft (Std.) (Flywheel end)	12 030 01
5 Bearing, crankshaft (.25)	12 030 02
5 Bearing, crankshaft (.50)	12 030 03
6 Seal, crankshaft	12 032 03
7 Shaft, governor cross	Part number N/A
8 Washer, governor shaft	SM-0631015
9 Seal, governor cross shaft	12 032 01
10 Washer, plain	X-25-102
11 Pin, governor hitch	12 380 04
12 Connecting Rod (Std.)	12 067 01
12 Connecting Rod (.25)	12 067 02
13 Piston w/Ring Set (Std.)	12 874 01
13 Piston w/Ring Set (.25)	12 874 02
13 Piston w/Ring Set (.50)	12 874 03
14 Ring Set (Std.)	12 108 01
14 Ring Set (.25)	12 108 02
14 Ring Set (.50)	12 108 03
15 Retainer, piston pin (2)	12 018 02
16 Camshaft assembly (Includes 17)	12 010 02
17 Spring, actuating	12 089 05
18 Shim, camshaft (A.R.)	12 422 01
18 Shim, camshaft (A.R.)	12 422 02
18 Shim, camshaft	12 422 03
18 Shim, camshaft (A.R.)	12 422 11
18 Shim, camshaft (A.R.)	12 422 12
18 Shim, camshaft (A.R.)	12 422 06
18 Shim, spacer (A.R.)	12 422 07
19 Shaft, balance	12 144 10
20 Gear, governor assembly	12 043 05
21 Washer, governor gear thrust	SM-0631005
22 Shaft, governor gear	12 144 02
23 Pin, governor regulating	12 380 01

NOT ILLUSTRATED

Bearing (2)	Part number N/A
-------------	-----------------

OIL PAN/LUBRICATION - Group 3

1 Plate, closure	12 009 03
2 Screw, closure plate M8x1.25x45 (12)	SM-0839045
3 Seal, oil (P.T.O. end)	12 032 03
4 Pump, oil	12 393 01
5 O-Ring, oil pump cover	12 153 05
6 Cover, oil pump	12 096 02
7 Screw, oil pump cover M5x0.8x16 (3)	SM-0545016
8 Screw, oil pump relief valve cover	SM-0545010
9 Bracket, oil pump relief bracket	12 126 16
10 Spring, oil pump relief valve	12 089 16
11 Piston, oil pump relief valve	12 462 02
12 Body, oil pump relief valve	12 208 02
13 O-Ring, oil pick-up	12 153 04
14 Oil pick-up assembly	12 381 01
15 Screw, oil pick-up tube	SM-0545010
16 Clamp, oil pick-up tube	52 154 01
17 Tube, oil fill	12 123 05
18 O-Ring, oil fill tube	41 153 01
19 Dipstick	12 038 03
20 Filter, oil	52 050 02

21 Adapter, oil filter	12 029 01
22 Gasket, oil filter adapter	12 041 07
23 Screw, adapter mt. M6x1.0x60 (2)	M-0639060
24 Plug, pipe	X-75-23

CYLINDER HEAD/VALVE/BREATHER - Group 4

1 Head assembly, cylinder	12 318 01
2 Gasket, cylinder head	12 041 04
3 Spacer, head bolt exhaust port	12 112 04
4 Valve, intake (Std.)	12 017 01
4 Valve, intake (.25)	12 017 02
5 Valve, exhaust (Std.)	12 016 01
5 Valve, exhaust (.25)	12 016 02
6 Seal, valve stem	12 032 02
7 Cap, valve spring (2)	12 173 01
8 Spring, exhaust valve	12 089 01
9 Spring, intake valve	12 089 15
10 Kit, retainer (2)	12 755 03
11 Retainer, spring (2)	52 018 01
12 Arm, rocker (2)	12 186 01
13 Bridge, rocker arm	12 126 05
14 Screw, rocker bridge M6x1.0x25 (2)	SM-0645025
15 Shaft, rocker arm	12 144 03
16 Rod, push (2)	12 411 01
17 Lifter, valve (2)	12 351 01
18 Screw, cylinder head M10x1.5x80 (5)	M-1040080
19 Cover, valve w/nipple	12 096 07
20 Reed, breather	12 402 01
21 Retainer, breather reed	12 018 01
22 Screw, breather reed ret. M5x0.8x10	SM-0545010
23 Strap, lifting (PTO side)	12 445 05
24 Hose, breather	12 326 07
25 Clamp, hose	X-426-9
26 Screw, valve cover M6x1.0x20 (2)	SM-0645020
27 Screw, valve cover M6x1.0x25 (3)	SM-0645025

NOT ILLUSTRATED

Kit, cylinder head	12 755 02
--------------------	-----------

IGNITION/ELECTRICAL - Group 5

1 Stator - 15 amp.	41 085 07
2 Screw, stator mtg. M5x0.8x25 (4)	SM-0544025
3 Clip, stator harness	12 154 02
4 Screw, stator harness clip M5x0.8x10	SM-0545010
5 Key	X-42-15
6 Flywheel	12 025 01
7 Screw, flywheel mounting	M-1040045
8 Washer, flywheel mtg. screw	52 468 15
9 Fan	12 157 01
11 Screw, fan mtg. (4)	SM-0639016
12 Spacer, fan (4)	12 112 01
13 Rectifier-regulator	41 403 09
14 Screw, rect.-reg. M6x1.0x16 (2)	SM-0639016
15 Connector, rect.-reg. (3 contact)	236602
16 Connector	48 155 01
17 Module, ignition	12 584 01
18 Screw, ign. module (2) M5x0.8x20	SM-0545020
19 Clip, kill lead	X-728-1
20 Screw, lead clip	SM-0545010
21 Spark plug	12 132 02

NOT ILLUSTRATED

Screen, grass - rotating	12 162 01
Lead, black, rect. to connector (5"-	
14 guage-uninsulated push-on tab	

BASIC GS

terminals)	25 518 05	37 Needle assy., power adjusing	Part number N/A
Lead, white, ground to kill	12 518 01	38 Gasket, bowl retainer	12 041 06
BLOWER HOUSING & BAFFLES - Group 6			
1 Screw, mounting M5x0.8x10 (14)	SM-05450102	39 Cap	15 173 02
2 Plate, blower housing	12 146 01	40 Screw (2)	Part number N/A
3 Kit, blower housing	12 027 03	41 Bracket, upper tank	12 126 20
4 Grommet, blower housing	12 313 03	42 Spacer (2)	Part number N/A
5 Cover, starter	Part number N/A	43 Tank, fuel	12 065 01
6 Baffle, cylinder barrel	12 063 01	44 Grommet, shut-off valve mount	25 313 01
7 Baffle, cylinder head	12 063 03	45 Valve, shut-off	25 462 03
8 Baffle, carburetor	12 063 02	46 Screw, tank mtg. M6x1.0x12 (2)	M-0639012
NOT ILLUSTRATED		47 Bracket, lower tank	12 126 18
Decal, horsepower	12 113 04	48 Spacer, lower bracket (2)	12 112 09
STARTING SYSTEM - Group 7			
11 Kit, bendix starter (Includes 12-19)	12 098 05	49 Stud M8x1.25x135 (2)	M-0829128
12 Assembly, armature	12 170 02	50 Nut M8x1.25 (2)	SM-0841080
13 Cap, drive end	12 227 01	NOT ILLUSTRATED	
14 Kit, drive (Includes 15)	12 755 12	Kit, carburetor repair	12 757 01
15 Kit, drive parts	12 755 06	ENGINE CONTROLS - Group 9	
16 Screw, hex flange	12 086 02	1 Bushing (2)	25 158 08
17 Cap, commutator end		2 Lever, choke - upper	12 090 14
(Includes 18)	12 243 01	3 Lever, governor	12 090 11
18 Kit, brush and spring	48 755 15	4 Link, choke - lower	12 079 06
19 Washer (2)	12 468 01	5 Screw, M5x0.8x20	SM-0545020
NOT ILLUSTRATED		6 Lever, choke - lower	12 090 16
Lubricant	52 357 01	7 Washer, wave	41 468 03
FUEL SYSTEM - Group 8			
1 Kit, fuel pump (Includes 2 & 3)	12 559 01	8 Tab, lock	12 448 01
2 Gasket, fuel pump (2)	25 041 05	9 Nut, locking	M-0547050
3 Screw, fuel pump mounting (2)	SM-0645020	10 Knob, choke lever	41 341 03
4 Connector, hose	25 155 02	11 Screw, plate (2)	SM-0645020
5 Connector, straight hose	X-380-1	20 Spring, governor	Part number N/A
6 Hose, fuel line	12 353 01	24 Link, throttle	12 079 04
7 Clamp, fuel line (8)	X-426-9	25 Link, choke - upper	12 079 05
9 Filter, fuel	25 050 01	26 Screw M5x0.8x10	M-0545010
10 Line, fuel - metal	12 123 06	27 Screw, gov. arm M6x1.0x25	SM-0642025
11 Line, fuel - valve to filter	12 353 07	28 Nut, M6x1.0	SM-0641060
12 Clamp, fuel line	12 154 01	NOT ILLUSTRATED	
13 Screw, fuel line connecting	SM-0545010	Bracket, governor spring	12 126 22
14 Nut, carburetor M6x1.0 (2)	SM-0641060	AIR INTAKE/FILTRATION - Group 10	
15 Stud, carburetor (2)	M-0629085	1 Gasket, air cleaner	12 041 02
16 Kit, carburetor w/gasket	12 853 12	2 Tube, air intake	12 123 07
17 Gasket, carburetor (3)	12 041 01	3 Base, air cleaner	12 094 02
18 Gasket, air filter	12 041 02	4 Bracket, air cleaner	12 126 10
19 Carburetor assembly (for information		5 Element, air cleaner	47 083 01
only not available separately)	12 053 14	6 Precleaner, element	52 083 01
20 Screw, carburetor adapter (2)	M-0644035	7 Cover, element	12 096 08
21 Adapter, carburetor	12 029 04	8 Grommet	12 313 04
22 Deflector, heat	12 265 01	9 Washer, plain 17/64x1/2x1/16	X-25-63
23 Shaft, choke	12 144 08	10 Wing nut	12 100 01
24 Spring, choke return	12 089 10	11 Cover, air cleaner	12 096 09
25 Screw, idle speed adjusting	12 086 04	12 Knob, air cleaner cover	12 341 01
26 Spring, idle speed adjusting	12 089 09	NOT ILLUSTRATED	
28 Spring, idle fuel adjusting	12 089 09	Decal, air cleaner	12 113 04
27 Needle, idle fuel adjusting	12 368 01	EXHAUST - Group 11	
29 Plate, choke	12 146 02	1 Stud, exhaust manifold	
30 Shaft, throttle w/lever and seal	12 144 09	M8x1.25x20 (2)	M-0829036
31 Screw, throttle plate	25 086 27	2 Gasket, exhaust manifold	12 041 03
32 Plate, throttle	12 146 03	3 Manifold, exhaust	12 164 02
33 Kit, float repair	12 757 02	4 Nut, muffler mtg. M8x1.25 (2)	SM-0841080
34 Gasket, bowl	12 041 05	5 Muffler	12 068 05
35 Bowl, fuel	12 104 01	6 Bracket, muffler	12 126 19
36 Kit, adjustable power needle	Part number N/A	7 Screw, muffler bracket mtg. (2)	SM-0639016
		Short Block	12 522 04
		Gasket Set w/seals	12 755 01

CRANKSHAFT - Group 1

1 Crankshaft	Part number N/A
--------------	-----------------

CRANKCASE - Group 2

1 Block, cylinderr(Use: Short block	12 522 04)
2 Plug, sq. hd. solid 3/8 N.P.T.F. (2)	X-75-10
3 Dowel, locating (4)	12 380 03
4 Plug, cup	52 139 09
5 Bearing, crankshaft (Std.)	
(Flywheel end)	12 030 01
5 Bearing, crankshaft (.25)	12 030 02
5 Bearing, crankshaft (.50)	12 030 03
6 Seal, crankshaft	12 032 03
7 Shaft, governor cross	Part number N/A
8 Washer, governor shaft	SM-0631015
9 Seal, governor cross shaft	12 032 01
10 Washer, plain	X-25-102
11 Pin, governor hitch	12 380 04
12 Connecting Rod (Std.)	12 067 01
12 Connecting Rod (.25)	12 067 02
13 Piston w/Ring Set (Std.)	12 874 01
13 Piston w/Ring Set (.25)	12 874 02
13 Piston w/Ring Set (.50)	12 874 03
14 Ring Set (Std.)	12 108 01
14 Ring Set (.25)	12 108 02
14 Ring Set (.50)	12 108 03
15 Retainer, piston pin (2)	12 018 02
16 Camshaft assembly (Includes 17)	12 010 02
17 Spring, actuating	12 089 05
18 Shim, camshaft (A.R.)	12 422 01
18 Shim, camshaft (A.R.)	12 422 02
18 Shim, camshaft	12 422 03
18 Shim, camshaft (A.R.)	12 422 11
18 Shim, camshaft (A.R.)	12 422 12
18 Shim, camshaft (A.R.)	12 422 06
18 Shim, spacer (A.R.)	12 422 07
19 Shaft, balance	12 144 10
20 Gear, governor assembly	12 043 05
21 Washer, governor gear thrust	SM-0631005
22 Shaft, governor gear	12 144 02
23 Pin, governor regulating	12 380 01

NOT ILLUSTRATED

Bearing (2)	Part number N/A
-------------	-----------------

OIL PAN/LUBRICATION - Group 3

1 Plate, closure	12 009 03
2 Screw, closure plate	
M8x1.25x45 (12)	SM-0839045
3 Seal, oil (P.T.O. end)	12 032 03
4 Pump, oil	12 393 01
5 O-Ring, oil pump cover	12 153 05
6 Cover, oil pump	12 096 02
7 Screw, oil pump cover	
M5x0.8x16 (3)	SM-0545016
8 Screw, oil pump relief valve cover	SM-0545010
9 Bracket, oil pump relief bracket	12 126 16
10 Spring, oil pump relief valve	12 089 16
11 Piston, oil pump relief valve	12 462 02
12 Body, oil pump relief valve	12 208 02
13 O-Ring, oil pickup	12 153 04
14 Oil pickup assembly	12 381 01
15 Screw, oil pickup tube	SM-0545010
16 Clamp, oil pickup tube	52 154 01
17 Tube, oil fill	12 123 05
18 O-Ring, oil fill tube	41 153 01
19 Dipstick	12 038 03
20 Filter, oil	52 050 02

21 Adapter, oil filter	12 029 01
22 Gasket, oil filter adapter	12 041 07
23 Screw, adapter mt. M6x1.0x60 (2)	M-0639060
24 Plug, pipe	X-75-23

CYLINDER HEAD/VALVE/BREATHER - Group 4

1 Head assembly, cylinder	12 318 01
2 Gasket, cylinder head	12 041 04
3 Spacer, head bolt exhaust port	12 112 04
4 Valve, intake (Std.)	12 017 01
4 Valve, intake (.25)	12 017 02
5 Valve, exhaust (Std.)	12 016 01
5 Valve, exhaust (.25)	12 016 02
6 Seal, valve stem	12 032 02
7 Cap, valve spring (2)	12 173 01
8 Spring, exhaust valve	12 089 01
9 Spring, intake valve	12 089 15
10 Kit, retainer (2)	12 755 03
11 Retainer, spring (2)	52 018 01
12 Arm, rocker (2)	12 186 01
13 Bridge, rocker arm	12 126 05
14 Screw, rocker bridge	
M6x1.0x25 (2)	SM-0645025
15 Shaft, rocker arm	12 144 03
16 Rod, push (2)	12 411 01
17 Lifter, valve (2)	12 351 01
18 Screw, cylinder head	
M10x1.5x80 (5)	M-1040080
19 Cover, valve w/nipple	12 096 07
20 Reed, breather	12 402 01
21 Retainer, breather reed	12 018 01
22 Screw, breather reed retainer	
M5x0.8x10	SM-0545010
23 Strap, lifting (PTO slide)	12 445 05
24 Hose, breather	12 326 07
25 Clamp, hose	X-426-9
26 Screw, valve cover M6x1.0x20 (2)	SM-0645020
27 Screw, valve cover M6x1.0x25 (3)	SM-0645025

NOT ILLUSTRATED

Kit, cylinder head	12 755 02
--------------------	-----------

IGNITION/ELECTRICAL - Group 5

5 Key	X-42-15
6 Flywheel	12 025 05
7 Screw, flywheel	M-1040045
8 Washer, flywheel	52 468 15
9 Fan	12 157 01
10 Screen, grass	12 162 03
11 Screw, fan (4)	SM-0639016
12 Spacer (4)	12 112 01
17 Module, ignition	12 584 02
18 Screw, ign. module M5x0.8x20 (2)	SM-0545020
19 Clip, kill lead	X-728-1
20 Screw, lead clip	SM-0545010
21 Spark plug	12 132 02

NOT ILLUSTRATED

Lead, white, ground to kill	12 518 01
Screw (4)	12 086 09

BLOWER HOUSING & BAFFLES - Group 6

1 Screw, mounting M5x0.8x10 (14)	SM-0545010
2 Plate, blower housing	12 146 01
3 Kit, blower housing	12 027 03
4 Grommet, blower housing	12 313 03
5 Cover, starter	12 096 05
6 Baffle, cylinder barrel	12 063 01
7 Baffle, cylinder head	12 063 03
8 Baffle, carburetor	12 063 02

BASIC PT

NOT ILLUSTRATED

Cover, reg/rect.	41 096 23
Screw, hex flange (2)	SM-0639016
Decal, horsepower	12 113 02

STARTING SYSTEM - Group 7

1 Screw (5)	SM-0545010
2 Starter assy., retractable (Includes 3-9)	12 165 01
3 Housing, starter	12 081 01
4 Handle, recoil start	234452
5 Rope, starter	12 160 01
6 Spring & keeper	12 089 06
7 Pulley	12 093 01
8 Kit, pawl (dog) repair	12 757 06
9 Screw, pozdrive	41 086 09
10 Cup, drive	15 109 01

NOT ILLUSTRATED

Decal, starting	12 113 07
-----------------	-----------

FUEL SYSTEM - Group 8

1 Kit, fuel pump (Includes 2 & 3)	12 559 01
2 Screw, fuel pump mounting (2)	SM-0645020
3 Gasket, fuel pump (2)	25 041 05
4 Connector, hose	25 155 02
5 Connector, straight hose	X-380-1
6 Hose, fuel line	12 353 01
7 Clamp, fuel line (8)	X-426-9
8 Line, fuel filter to pump (2)	25 353 08
9 Filter, fuel	25 050 01
10 Line, fuel - metal	12 123 06
11 Line, fuel - valve to lifter	12 353 07
12 Clamp, fuel line	12 154 01
13 Screw, fuel line connecting	SM-0545010
14 Nut, carburetor M6x1.0 (2)	SM-0641060
15 Stud, carburetor (2)	M-0629085
16 Kit, carburetor w/gasket (Includes 17-19,23-38)	12 853 12
17 Gasket, carburetor (3)	12 041 01
18 Gasket, air filter	12 041 02
19 Carburetor assembly (for information only not available separately)	12 053 14
20 Screw, carburetor adapter (2)	M-0644035
21 Adapter, carburetor	12 029 04
22 Deflector, heat	12 265 01
23 Shaft, choke	12 144 08
24 Spring, choke return	12 089 10
25 Screw, idel speed adjusting	12 086 04
26 Spring, idle speed adjusting	12 089 09
27 Needle, idle fuel adjusting	12 368 01
28 Spring idle fuel adjusting	12 089 09
29 Plate, choke	12 146 02
30 Shaft, throttle w/lever and seal	12 144 09
31 Screw, throttle plate	25 086 27
32 Plate, throttle	12 146 03
33 Kit, float repair	12 757 02
34 Gasket, bowl	12 041 05
35 Bowl, fuel	12 104 01
36 Kit, adjustable power needle (Includes 37 & 38)	Part number N/A

37 Needle assy., power	Part number N/A
38 Gasket, bowl retainer	12 041 06
39 Cap	15 173 02
40 Screw	Part number N/A
41 Bracket, upper tank	12 126 20
42 Spacer	Part number N/A
43 Tank, fuel	12 065 01
44 Grommet, shut-off valve mount	25 313 01
45 Valve, shut-off	25 462 03
46 Screw, tank mtg. M6x1.0x12 (2)	M-0639012
47 Bracket, lower tank	12 126 18
48 Spacer, lower bracket (2)	12 112 08
49 Stud M8x1.25x135 (2)	M-0829128
50 Nut M8x1.25 (2)	SM-0841080

NOT ILLUSTRATED

Kit, carburetor repair	12 757 01
------------------------	-----------

ENGINE CONTROLS - Group 9

1 Bushing (2)	25 158 08
2 Lever, choke - upper	12 090 14
3 Lever, governor	12 090 11
4 Link, choke - lower	12 079 06
5 Screw, M5x0.8x20	SM-0545020
6 Lever, choke - lower	12 090 16
7 Washer, wave	41 468 03
8 Tab, lock	12 448 01
9 Nut, locking	M-0547050
10 Knob, choke lever	41 341 03
11 Screw, plate (2)	SM-0645020
20 Spring, governor	Part number N/A
24 Link, throttle	12 079 04
25 Link, choke - upper	12 079 05
26 Screw M5x0.8x10	SM-0545010
27 Screw, gov. arm M6x1.0x25	SM-0642025
28 Nut, M6x1.0	SM-0641060

NOT ILLUSTRATED

Bracket, governor spring	12 126 22
--------------------------	-----------

AIR INTAKE/FILTRATION - Group 10

1 Gasket, air cleaner	12 041 02
2 Tube, air intake	12 123 07
3 Base, air cleaner	12 094 02
4 Bracket, air cleaner	12 126 10
5 Element, air cleaner	47 083 01
6 Precleaner, element	52 083 01
7 Cover, element	12 096 08
8 Grommet	12 313 04
9 Washer, plain 17/64x1/2x1/16	X-25-63

EXHAUST - Group 11

1 Stud, exhaust manifold M8x1.25x20 (2)	M-0829036
2 Gasket, exhaust manifold	12 041 03
3 Manifold, exhaust	12 164 02
4 Nut, muffler mtg. M8x1.25 (2)	SM-0841080
5 Muffler	12 068 05
6 Bracket, muffler	12 126 19
7 Screw, muffler bracket mtg. (2)	SM-0639016

Short Block	12 522 04
Gasket Set w/seals	12 755 01

CRANKSHAFT - Group 1

1 Crankshaft 12 014 04

CRANKCASE - Group 2

1 Block, cylinder (Use: Short block 12 522 04)
 2 Plug, sq. hd solid 3/8 N.P.T.F. (2) X-75-10
 3 Dowel, locating (4) 12 380 03
 4 Plug, cup 52 139 09
 5 Bearing, crankshaft (Std.)
 (Flywheel end) 12 030 01
 5 Bearing, crankshaft (.25) 12 030 02
 5 Bearing, crankshaft (.50) 12 030 03
 6 Seal, crankshaft 12 032 03
 7 Shaft, governor cross 12 144 01
 9 Seal, governor cross shaft 12 032 01
 8 Washer, governor shaft SM-0631015
 10 Washer, plain X-25-102
 11 Pin, governor hitch 12 380 04
 12 Connecting Rod (Std.) 12 067 01
 12 Connecting Rod (.25) 12 067 02
 13 Piston w/Ring Set (Std.) 12 874 01
 13 Piston w/Ring Set (.25) 12 874 02
 13 Piston w/Ring Set (.50) 12 874 03
 14 Ring Set (Std.) 12 108 01
 14 Ring Set (.25) 12 108 02
 14 Ring Set (.50) 12 108 03
 15 Retainer, piston pin (2) 12 018 02
 16 Camshaft assembly (Includes 17) 12 010 02
 17 Spring, actuating 12 089 05
 18 Shim, camshaft (A.R.) 12 422 01
 18 Shim, camshaft (A.R.) 12 422 02
 18 Shim, camshaft 12 422 03
 18 Shim, camshaft (A.R.) 12 422 11
 18 Shim, camshaft (A.R.) 12 422 12
 18 Shim, camshaft (A.R.) 12 422 06
 18 Shim, spacer (A.R.) 12 422 07
 19 Shaft, balance 12 144 10
 20 Gear, governor assembly 12 043 05
 21 Washer, governor gear thrust SM-0631005
 22 Shaft, governor gear 12 144 02
 23 Pin, governor regulating 12 380 01

OIL PAN/LUBRICATION - Group 3

1 Plate, closure 12 009 01
 2 Screw, closure plate
 M8x1.25x45 (12) SM-0839045
 3 Seal, oil (P.T.O. end) 12 032 03
 4 Pump, oil 12 393 01
 5 O-Ring, oil pump cover 12 153 05
 6 Cover, oil pump 12 096 02
 7 Screw, oil pump cover
 M5x0.8x16 (3) SM-0545016
 8 Screw, oil pump relief valve cover SM-0545010
 9 Bracket, oil pump relief bracket 12 126 16
 10 Spring, oil pump relief valve 12 089 16
 11 Piston, oil pump relief valve 12 462 02
 12 Body, oil pump relief valve 12 208 02
 13 O-Ring, oil pick-up 12 153 04
 14 Oil pick-up assembly 12 381 01
 15 Screw, oil pick-up tube SM-0545010
 16 Clamp, oil pick-up tube 52 154 01
 17 Tube, oil fill 12 123 05
 18 O-Ring, oil fill tube 41 153 01
 19 Dipstick 12 038 03
 23 Screw, adapter mount (2) M-639055
 22 Gasket, oil filter adapter 12 041 07

NOT ILLUSTRATED

Adapter, oil filter 12 029 03
 Filter, oil 12 050 01
 Switch, oil pressure 52 099 06
 Lead 52 518 21
 Plug, pipe 3/8 X-75-32
 Spacer Part number N/A

CYLINDER HEAD/VALVE/BREATHER - Group 4

1 Head assembly, cylinder 12 318 01
 2 Gasket, cylinder head 12 041 04
 3 Spacer, head bolt ex. port 12 112 04
 4 Valve, intake (Std.) 12 017 01
 4 Valve, intake (.25) 12 017 02
 5 Valve, exhaust (Std.) 12 016 01
 5 Valve, exhaust (.25) 12 016 02
 6 Seal, valve stem 12 032 02
 7 Cap, valve spring (2) 12 173 01
 8 Spring, exhaust valve 12 089 01
 9 Spring, intake valve 12 089 15
 10 Kit, retainer (2) 12 755 03
 11 Retainer, spring (2) 52 018 01
 12 Arm, rocker (2) 12 186 01
 13 Bridge, rocker arm 12 126 05
 14 Screw, rocker bridge
 M6x1.0x25 (2) SM-0642025
 15 Shaft, rocker arm 12 144 03
 16 Rod, push (2) 12 411 01
 17 Lifter, valve (2) 12 351 01
 18 Screw, cylinder head
 M10x1.5x80 (5) M-1040080
 19 Cover, valve w/nipple 12 096 07
 20 Reed, breather 12 402 01
 21 Retainer, breather reed 12 018 01
 22 Screw, breather reed retainer
 M5x0.8x10 SM-0545010
 23 Strap, lifting 12 445 05
 24 Hose, breather 12 326 07
 25 Clamp, hose (2) X-426-9
 26 Screw, valve cover M6x1.0x20 (4) SM-0645020
 27 Screw, valve cover M6x1.0x25 SM-0645025

NOT ILLUSTRATED

Kit, cylinder head 12 755 02

IGNITION/ELECTRICAL - Group 5

1 Stator - 15 amp. 41 085 07
 2 Screw, stator mtg. M5x0.8x25 (4) SM-0544025
 3 Clip, stator harness 12 154 02
 4 Screw, stator harness clip
 M5x0.8x10 SM-0545010
 5 Key X-42-15
 6 Flywheel assembly 12 025 07
 7 Screw, flywheel mounting M-1040045
 8 Washer, flywheel mtg. screw 52 468 15
 9 Fan 12 157 01
 11 Screw, fan mounting (4) SM-0639016
 12 Spacer, fan (4) 12 112 01
 13 Rectifier-regulator 41 403 09
 14 Screw, rect.-reg. M6x1.0x16 (2) SM-0639016
 15 Connector, rect.-reg. (3 contact) 236602
 17 Module, ignition 12 584 01
 18 Screw, ignition module (2)
 M5x0.8x20 SM-0545020
 19 Clip, kill lead X-728-1
 20 Screw, lead clip SM-0545010
 21 Spark plug 12 132 02

NOT ILLUSTRATED

Screen, grass	12 162 05	28 Spring, idle fuel adjusting	12 089 09
Cup, drive	12 109 04	29 Plate, choke	12 146 02
Lead, black, rectifier to connector	25 518 08	30 Shaft, throttle w/lever and seal	12 144 09
Lead, white, ground to kill	12 518 01	31 Screw, throttle plate	25 086 27
Connector	236473	32 Plate, throttle	12 146 03
BLOWER HOUSING & BAFFLES - Group 6			
1 Screw, mounting M5x0.8x10 (14)	SM-0545010	33 Kit, float repair	12 757 02
2 Plate, blower housing	12 146 01	34 Gasket, bowl	12 041 05
3 Kit, blower housing	12 027 05	35 Bowl, fuel	12 104 01
4 Grommet, blower housing	12 313 03	36 Kit, adjustable power needle (Includes 37 & 38)	Part number N/A
5 Cover, starter	Part number N/A	37 Needle assy., power adjusting	Part number N/A
6 Baffle, cylinder barrel	12 063 01	38 Gasket, bowl retainer	12 041 06
7 Baffle, cylinder head	12 063 03	NOT ILLUSTRATED	
8 Baffle, carburetor	12 063 02	Line, fuel	41 353 15
NOT ILLUSTRATED			
Screw	SM-0545016	Kit, carburetor repair	12 757 01
Washer, plain	X-25-36	ENGINE CONTROLS - Group 9	
Baffle, ducted air	12 063 07	1 Bushing, linkage retaining (2)	25 158 08
Baffle, cover	12 063 06	2 Lever, choke	12 090 14
Screws, valve cover (2)	SM-0645025	3 Lever, governor	12 090 11
Decal, horsepower	12 113 02	11 Screw, hex. hd. M6x1.0x20 (2)	SM-0645020
STARTING SYSTEM - Group 7			
11 Kit, bendix starter (Includes 12-19)	12 098 05	18 Nut, M5x0.8	M-0541050
12 Armature	12 170 02	19 Plate, control	12 146 05
13 Cap, drive end	12 227 01	20 Spring, governor	12 089 17
14 Kit, drive (Includes 15)	12 755 12	21 Lever, throttle-inner	12 090 13
15 Kit, drive parts	12 755 06	22 Spacer, shoulder	12 112 07
16 Screw, hex. flange (2)	12 086 02	24 Linkage, throttle	12 079 04
17 Cap, commutator end (Includes 18)	12 243 01	23 Screw, M5x0.8x16	SM-0545016
18 Kit, brush	48 755 15	25 Linkage, choke	12 079 05
19 Washer (2)	12 468 01	26 Screw, choke lever	SM-0545010
NOT ILLUSTRATED			
Screw, bendix starter (2)	SM-0839065	26 Screw, gov. lock	SM-0545010
Lubricant, starter	52 357 01	27 Nut, governor arm M6x1.0	SM-0641060
FUEL SYSTEM - Group 8			
1 Kit, fuel pump (Includes 2 & 3)	12 559 01	28 Screw, governor arm M6x1.0x25	SM-0642025
2 Gasket, fuel pump (2)	25 041 05	NOT ILLUSTRATED	
3 Screw, fuel pump mounting (2)	SM-0645020	Clamp, cable (2)	12 237 01
4 Connector, straight hose	X-308-1	Screw, cable clamp (2)	SM-0545016
5 Connector, hose	25 155 02	Bracket, choke mount	12 126 15
6 Hose, fuel line	12 353 01	Screw, choke mt. brkt. (2)	SM-0545010
7 Clamp, fuel line (4)	X-426-9	AIR INTAKE/FILTRATION - Group 10	
9 Filter, fuel	25 050 01	1 Gasket, air cleaner	12 041 02
10 Line, fuel - metal	12 123 06	3 Base, air cleaner	12 094 02
11 Line, fuel - metal line to carb.	12 353 07	2 Tube, air intake	12 123 07
12 Clamp, fuel line	12 154 01	4 Bracket, air cleaner	12 126 10
13 Screw, fuel line connecting	SM-0545010	5 Cover, air cleaner	12 096 09
14 Nut, carburetor M6x1.0 (2)	SM-0641060	6 Precleaner, element	52 083 01
15 Stud, carburetor (2)	M-0629085	7 Element, air cleaner	47 083 01
16 Kit, carburetor w/gasket (Includes 17-19,23-38)	12 853 12	8 Grommet	12 313 04
17 Gasket, air filter	12 041 02	9 Washer, plain 17/64x9/16x1/16	X-25-63
18 Gasket, carburetor (3)	12 041 01	10 Wing nut	12 100 01
19 Carburetor assembly (for information only not available separately)	12 053 14	11 Cover, air cleaner	
20 Screw, carburetor adapter (2)	M-0644035	12 Knob, air cleaner cover	12 341 01
21 Adapter, carburetor	12 029 04	NOT ILLUSTRATED	
22 Deflector, heat	12 265 01	Decal, air cleaner	12 113 04
23 Shaft, choke	12 144 08	EXHAUST - Group 11	
24 Spring, choke return	12 089 10	1 Stud, exhaust manifold M8x1.25x20 (2)	M-0829036
25 Screw, idle speed adjusting	12 086 04	2 Gasket, exhaust manifold	12 041 03
26 Spring, idle speed adjusting	12 089 09	3 Manifold, exhaust	12 164 02
27 Needle, idle fuel adjusting	12 368 01	4 Nut M8x1.25 (2)	SM-0841080
Short Block			
Gasket Set w/seals			
			12 522 05
			12 755 01

KOHLER[®]engines

ENGINE DIVISION, KOHLER CO., KOHLER, WISCONSIN 53044

FORM NO.:	TP-2401
ISSUED:	1/90
REVISED:	
MAILED:	2/90

LITHO IN U.S.A.



PARTS MANUAL

MODEL KT17 *SERIES II* Specs 24300 - 24343

MODEL KT19 *SERIES II* Specs 49200 - 49226

HOW TO FIND YOUR PART NUMBER

1 Refer to the Composite Exploded View on pages 2 & 3 (Grids A2 & A3). It contains major engine components boxed and identified by Group Number. Examine these groups for your part. After you locate your part, record the Group Number.

If the part you need is not illustrated, locate a major engine component related to your part and use this component to identify the Group Number.

2 Obtain the Spec Number from the nameplate attached to the engine shrouding. Refer to the Spec Number Index beginning on page 4 (Grid A4). Listed vertically on the left are Spec Numbers. Listed horizontally across

the top are Group Numbers and their titles, Page and Grid Numbers.

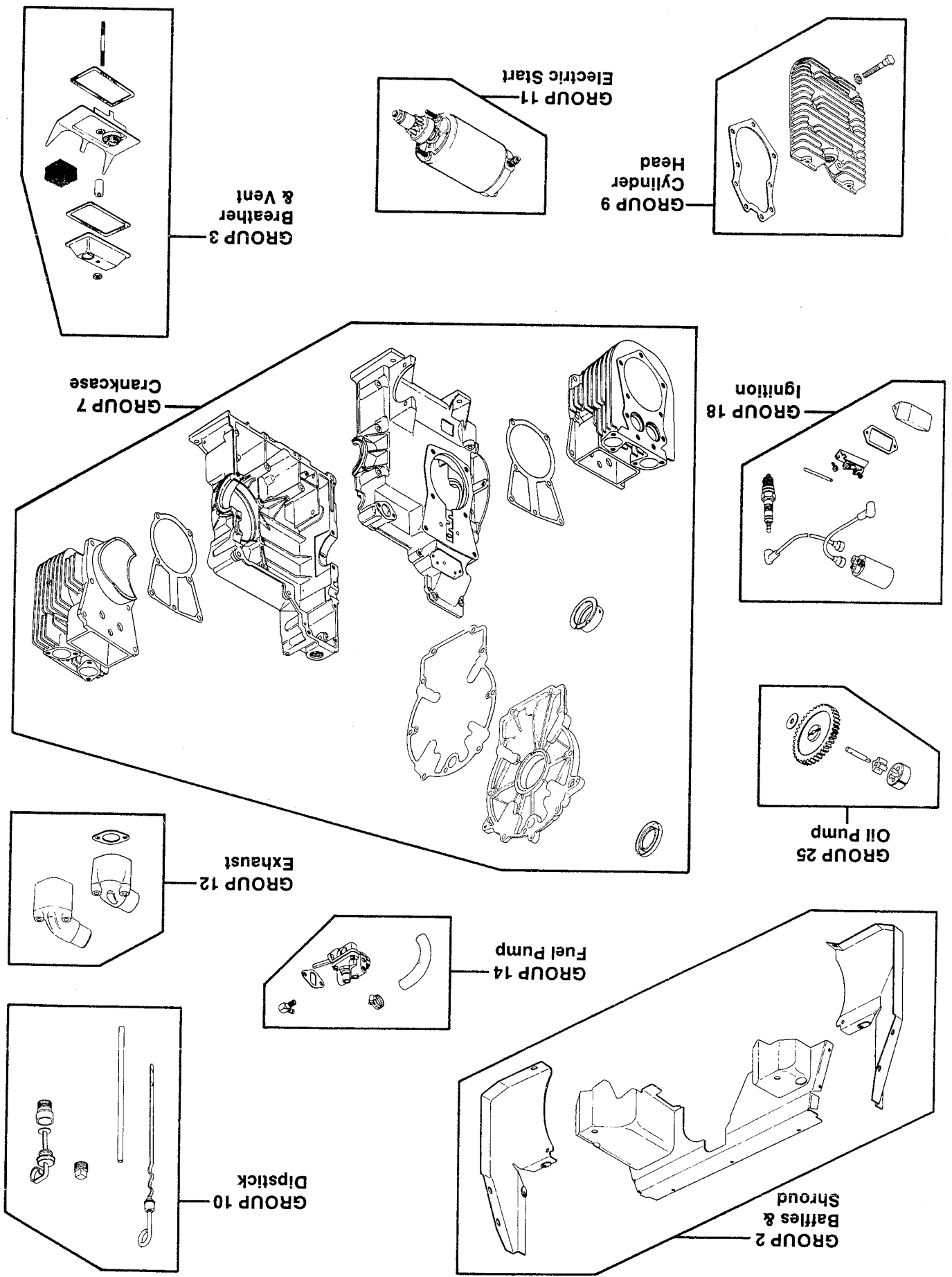
Locate your Spec Number. Follow horizontally from your Spec Number to the Group Number column. Where these two columns meet is the Variation Number of your part. Record that Variation Number.

3 Refer to the page (or grid) where your part is listed. Locate the part in the illustration, use its identifying index number to locate the part name in the listing. Find the Variation Number of your part in those listed below the part name. Your part number is listed to the right of the Variation Numbers.

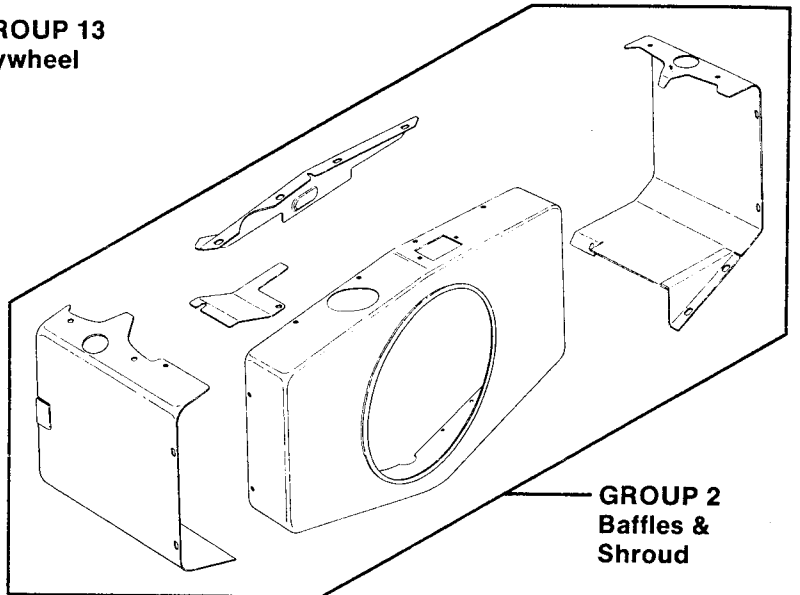
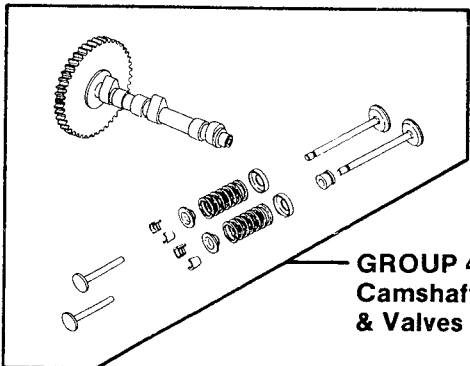
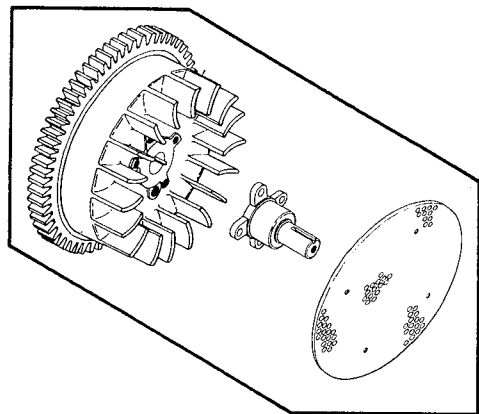
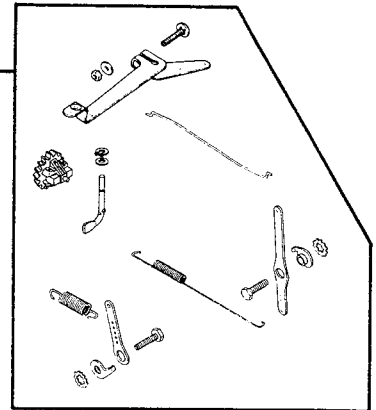
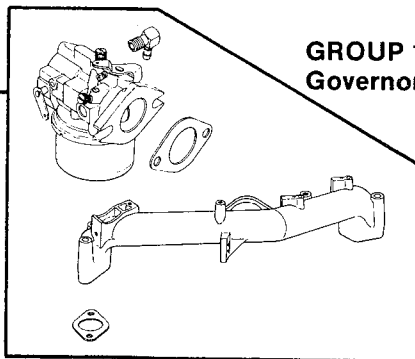
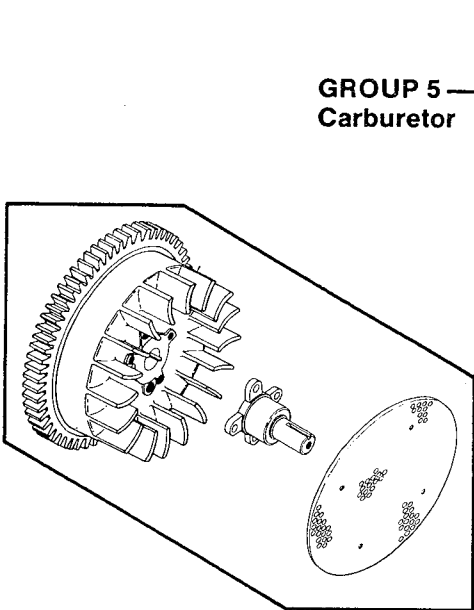
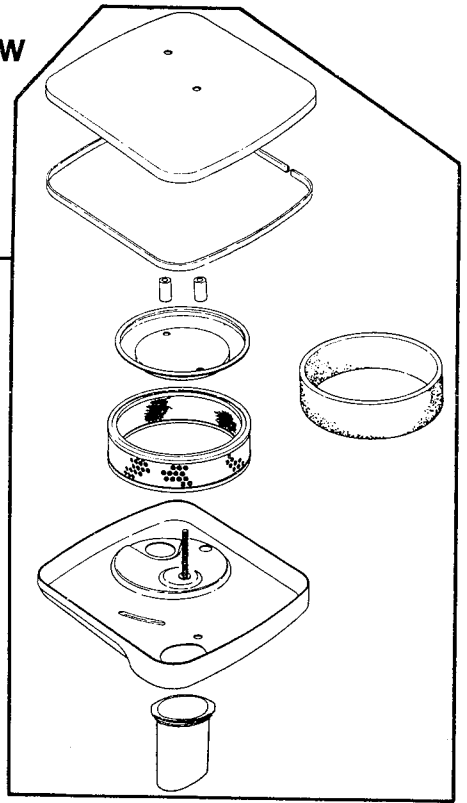
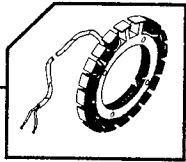
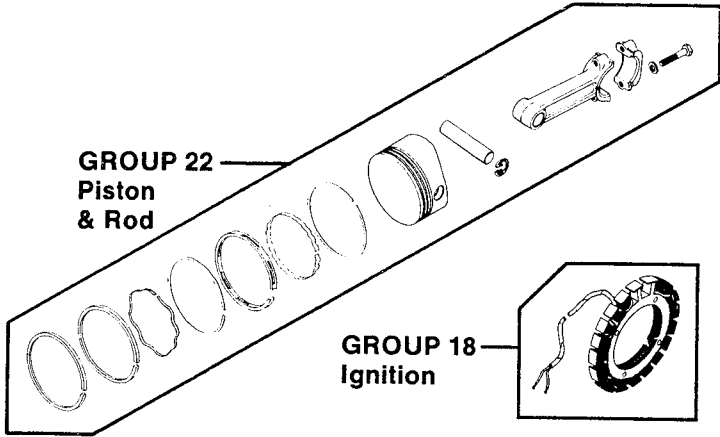
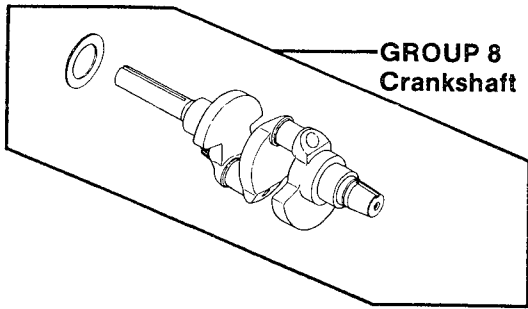
Illustrations are not intended to show the exact detail for all variations covered.

Quantities greater than one are shown in parenthesis behind part description.

COMPOSITE EXPLODED VIEW



COMPOSITE EXPLODED VIEW



SPECIFICATION NUMBER INDEX

Group Title & Number	Air Intake	Baffles & Shroud	Breather & Vent	Camshaft & Valves	Carburetor	Crankcase	Crankshaft	Cylinder Head	Dipstick	Electric Start	Exhaust	Flywheel	Fuel Pump	Governor	Ignition	Instrument Panel	Piston & Rod	Oil Pump	Gasket Set
	1	2	3	4	5	7	8	9	10	11	12	13	14	17	18	19	22	25	39
Page	6	8	10	11	12	14	16	17	18	19	20	21	22	22	24	26	28	29	30
Grid	A6	A8	A10	A11	A12	A14	B2	B3	B4	B5	B6	B7	B8	B8	B10	B12	B14	C1	C2

Spec. No.

Variation Number

**MODEL
KT17
SERIES II**

24300	14	2	4	12	13	88	80	1	13	1	10	23	5	6	10		11	2	12
24301	18	51	5	10	20	91	85	8	8	3	7	40	6	6	5		11	2	12
24302	13	29	3	12	15	92	84	1	14	1	8	27	5	8	7		11	2	12
24303	14	16	4	10	12	94	80	1	14	1		26	8	7	2		11	2	12
24304	13	60	3	12	13	88	80	1	14	1	99	34	6	10	11		11	2	12
24305	13	25	3	10	13	93	80	1	9	1	7	31	5	6	2		11	2	12
24307	4	6	6	13	11	96	87	1	2	1	6	39	2	3	4		11	2	12
24310	23	52	5	12	21	92	83	1	14	1	7	21	7	14	9		11	2	12
24312	13	43	3	12	13	93	80	1	14	1	7	21	5	6	2		11	2	12
24313	14	3	4	10	13	88	88	1	13	1	7	23	5	6	2		11	2	12
24314	30	43	3	10	13	93	84	1	14	1	7	201	5	6	2		11	2	12
24316	14	3	4	12	13	88	80	1	13	1	7	23	5	6	10		11	2	12
24317	27	27	3	10	13	93	84	1	13	3	14	29	6	6	6		11	2	12
24318	28	27	3	10	13	88	80	1	13	1	99	23	5	6	10	200	11	2	12
24320	29	66	3	10	13	93	80	1	13	1	7	21	5	6	2		11	2	12
24327	14	2	4	12	23	88	80	1	13	1	10	23	5	15	10	1	11	2	12
24328	18	51	5	10	20	91	85	8	8	3	7	40	6	6	5		11	2	12
24329	30	29	3	12	15	92	84	1	14	1	8	27	5	8	7		11	2	12
24330	31	16	4	10	12	94	80	1	14	1		26	5	7	2		11	2	12
24332	30	25	3	10	13	93	80	1	9	1	7	31	5	6	2		11	2	12
24333	30	43	3	10	13	93	84	1	14	1	7	201	5	6	2		11	2	12
24334	28	27	3	10	13	93	84	1	13	3	14	29	6	6	6		11	2	12
24335	4	6	6	13	11	96	87	1	2	1	6	39	2	3	4		11	2	12
24336	28	59	3	10	12	97	90	1	9	1	13	50	6	7	2		11	2	12
24337	13	27	3	12	21	93	80	1	14	1	99	23	100	14	10		11	2	12
24338	14	2	4	12	13	88	80	1	13	1	10	23	5	6	10		11	2	12
24341	13	72	3	13	13	88	80	1	14	5	10	23	5	6	10		11	2	12
24343	13	25	3	12	13	93	80	1	14	1	7	31	5	6	2		11	2	12

Contact Your Kohler engine parts supplier
for any specifications not listed.

Contact Your Kohler Generator parts supplier
for Generator Specifications.

For Short Blocks and Replacement Engines
refer to Selection Guide TP-2166

SPECIFICATION NUMBER INDEX

Group Title & Number	Air Intake	Baffles & Shroud	Breather & Vent	Camshaft & Valves	Carburetor	Crankcase	Crankshaft	Cylinder Head	Dipstick	Electric Start	Exhaust	Flywheel	Fuel Pump	Governor	Ignition	Instrument Panel	Piston & Rod	Oil Pump	Gasket Set
	1	2	3	4	5	7	8	9	10	11	12	13	14	17	18	19	22	25	39
Page	6	8	10	11	12	14	16	17	18	19	20	21	22	22	24	26	28	29	30
Grid	A6	A8	A10	A11	A12	A14	B2	B3	B4	B5	B6	B7	B8	B8	B10	B12	B14	C1	C2

Spec. No.

Variation Number

**MODEL
KT19
SERIES II**

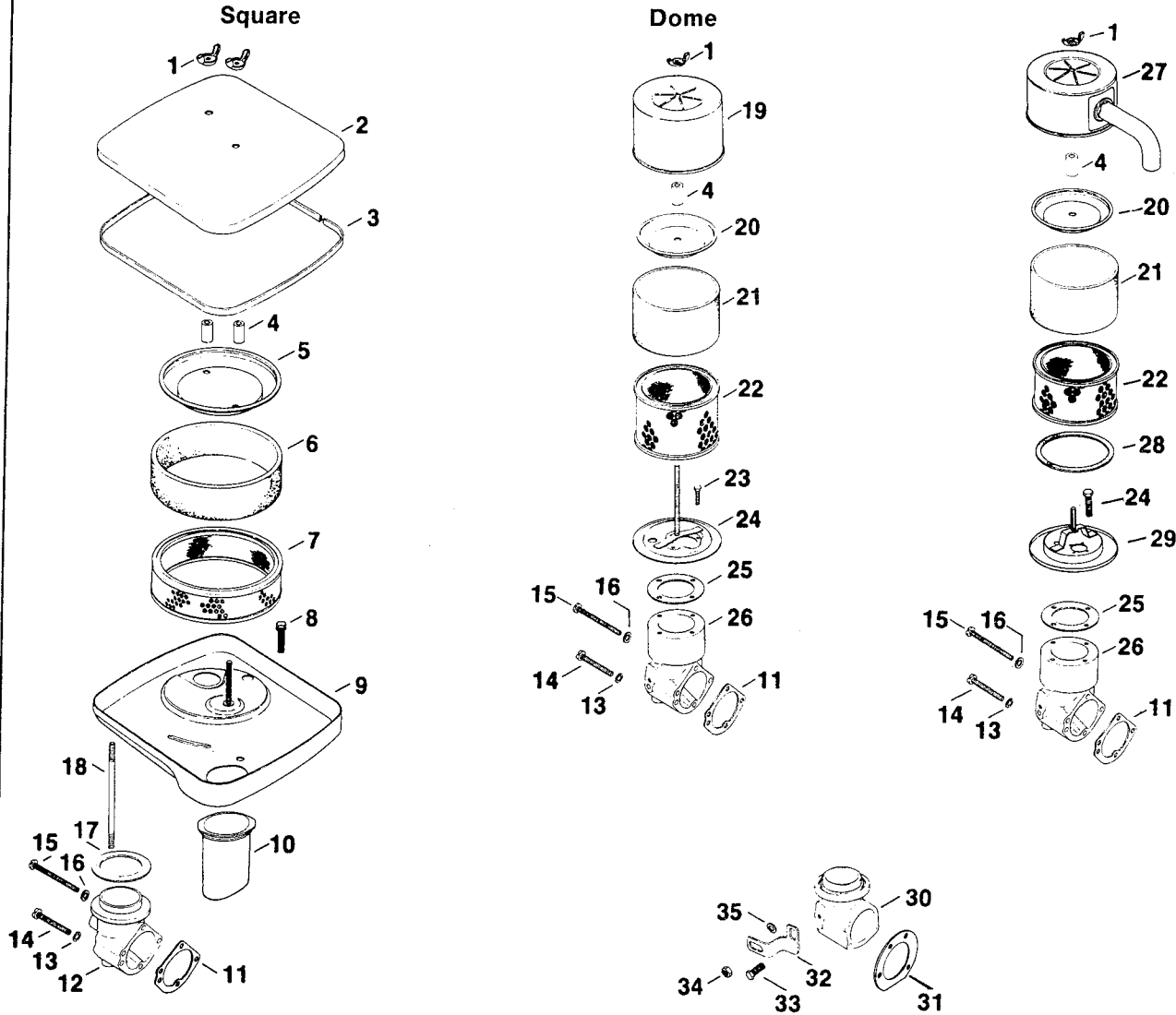
49200	14	9	4	14	13	89	81	5	12	1	10	23	5	6	10		12	2	12
49201	14	22	4	11	12	99	92	5	15	5		26	8	7	2		12	2	12
49202	27	61	3	11	13	100	93	5	12	5	14	29	6	6	6		12	2	12
49203	14	7	4	14	13	89	81	5	12	1	7	23	5	6	10		12	2	12
49205	13	61	3	11	13	101	92	5	10	1	7	31	5	6	2		12	2	12
49206	31	7	4	11	13	100	93	5	12	1	7	201	5	6	2		12	2	12
49214	14	9	4	14	23	89	81	5	12	1	10	23	5	15	2	1	12	2	12
49217	23	70	5	11	13	89	81	5	10	5	7	43	5	6	10		12	2	12
49225	13	61	3	14	13	101	92	5	15	1	7	31	5	6	2		12	2	12
49226	13	33	3	14	13	100	93	5	15	1	7	201	5	6	2		12	2	12

Contact Your Kohler engine parts supplier
for any specifications not listed.

For Short Blocks and Replacement Engines
refer to Selection Guide TP-2166

KT17-KT19 SERIES II

Group 1 AIR INTAKE



Index Number	Description Variation Number	Part Number	Index Number	Description Variation Number	Part Number
1	Wing nut 1/4-20 13, 27, 28, 29, 30	X-276-7	9	Base, air cleaner 14, 31	52 201 07
1	Wing nut 1/4-20 (2) 14, 31	X-276-7	10	Tube, air intake 14, 31	47 134 02
2	Cover, air cleaner—Square 14, 31	52 082 02	11	Gasket, elbow 4, 13, 23, 27, 28, 29, 30, 31	277069
3	Seal, air cleaner cover 14, 31	52 032 01	12	Elbow, air cleaner 4	52 054 16
4	Seal, element cover (2) 13, 14, 27, 28, 29, 30, 31	231032	12	Elbow, air cleaner 14, 31	52 054 17
5	Cover, air cleaner element 14, 31	52 082 03	13	Washer, I.T. #10 (2) 4, 13, 14, 18, 23, 27, 28, 29, 30, 31	X-22-9
6	Precleaner 14, 31	52 083 01	14	Screw, sltd. pan hd. 10-32 x 1-1/2 (2) 4, 13, 14, 23, 27, 28, 29, 30, 31	X-50-57
7	Element, air cleaner 14, 31	47 083 01	14	Screw, H.H.M. 10-32 x 1-3/4 (2) 18	52 086 05
8	Screw, hex. wash. hd. 1/4-20 x 7/16 14, 31	X-67-83	15	Screw, sltd. pan hd. 10-32 x 2-1/4 4, 13, 14, 23, 27, 28, 29, 30, 31	X-50-37
			15	Screw, H.H.M. 10-32 x 2-3/8 18	52 086 04

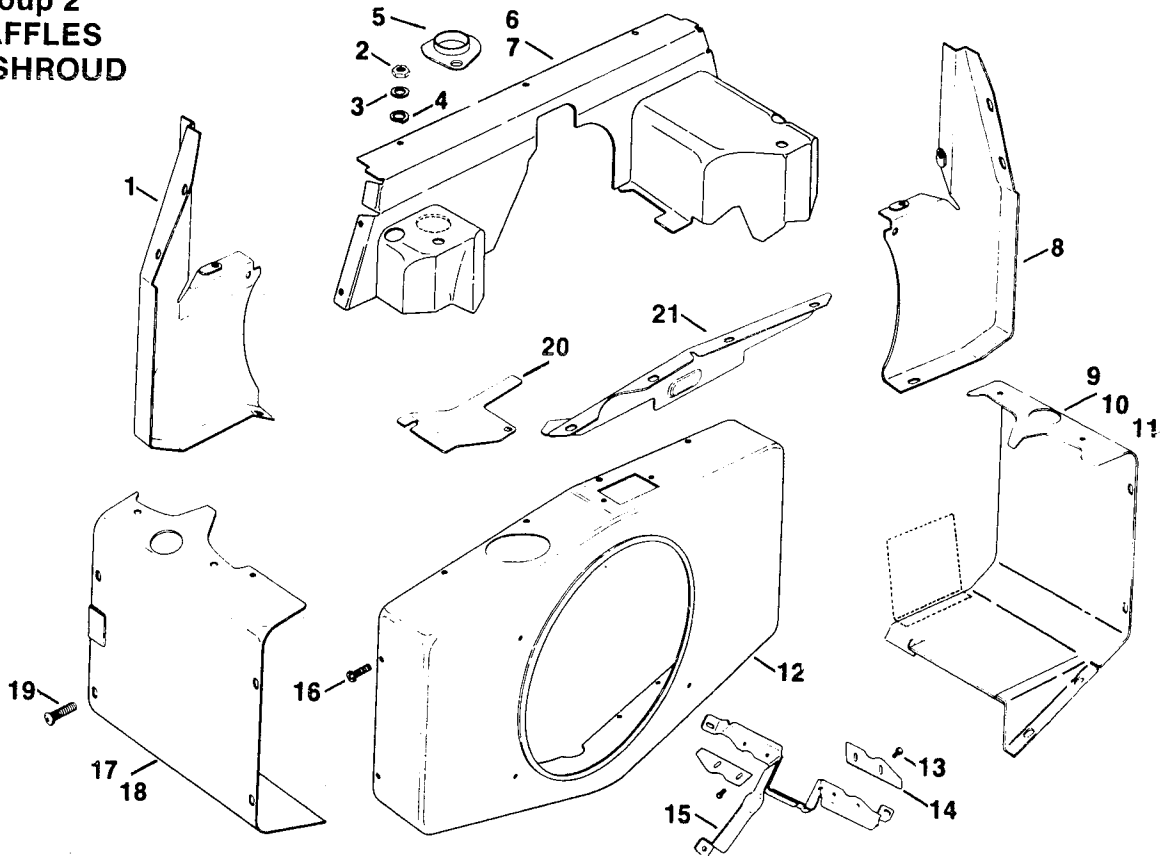
KT17-KT19 **SERIES II**

AIR INTAKE (Cont'd)

Index Number	Description Variation Number	Part Number	Index Number	Description Variation Number	Part Number
16	Washer, plain #10 4, 13, 14, 18, 23, 27, 28, 29, 30, 31	X-25-79	26	Elbow, air cleaner 23	52 054 26
17	Gasket, air cleaner 4, 14, 31	52 055 04	27	Cover, air cleaner—Anti-Icing—5-7/16" tube	52 254 11
18	Stud 1/4-20 x 4-3/4 4, 14, 31	X-352-38	27	Cover, air cleaner—Anti-Icing—4-7/16" tube	52 254 12
19	Cover, air cleaner—Dome 13, 30	45 082 01	28	Seal, air cleaner cover 27, 28, 29	237423
20	Cover, air cleaner element 13, 27, 28, 29, 30	52 082 04	29	Base, air cleaner 27, 28, 29	52 201 06
21	Precleaner 13, 27, 28, 29, 30	45 083 01	30	Elbow, air cleaner 18	52 054 25
22	Element 13, 27, 28, 29, 30	45 083 02	31	Gasket, air horn 18	52 041 12
23	Screw, H.C. 10-32 x 9/16 (4) 13, 27, 28, 29, 30	X-67-98	32	Brace, air cleaner elbow 18	52 120 01
24	Base, air cleaner 13, 30	52 094 06	33	Screw, H.C. 10-32 x 7/16 18	X-67-64
25	Gasket, air cleaner 13, 27, 28, 29, 30	277093	34	Nut, hex. 5/16-18 18	X-82-2
26	Elbow, air cleaner 13, 27, 28, 29, 30	52 054 15	35	Washer, plain 5/16 18	X-25-44

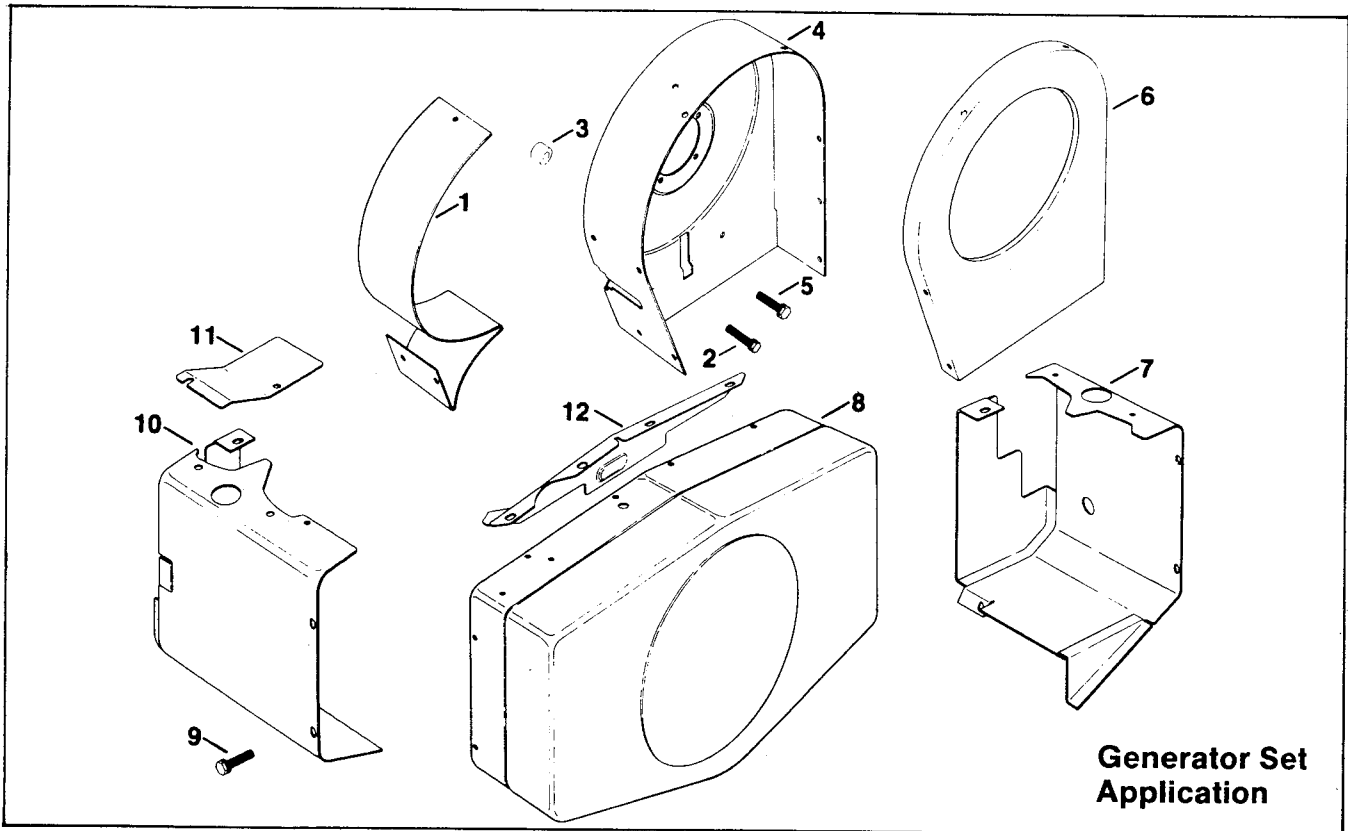
KT17-KT19 *SERIES II*

Group 2 BAFFLES & SHROUD



Index Number	Description Variation Number	Part Number	Index Number	Description Variation Number	Part Number
1	Duct, #2 side air 3, 43, 52, 66	52 281 09	11	Baffle, #1 cylinder head - with rear cyl. baffle 29, 43, 66	52 124 24
1	Duct, #2 side air 7, 33, 70	52 281 05	11	Baffle, #1 cylinder head - with rear cyl. baffle 51, 52	52 124 31
2	Nut 5/16 - 18 (2) 3, 7, 33, 43, 51, 52, 66, 70	X-82-2	11	Baffle, #1 cylinder head - with rear cyl. baffle 70	52 124 37
3	Washer, plain 1/4 (3) 51	X-25-20	12	Housing, blower 2, 3, 7, 9,	52 027 07
4	Washer, split 5/16 7	X-21-2	12	Housing, blower 16, 22	52 027 10
5	Plate, heater 66	52 146 06	12	Housing, blower 25, 27, 29, 33, 43, 51, 52, 61, 66, 70 72	52 027 09
6	Cover, air duct 3, 7, 33, 43, 51, 52, 70	52 282 01	12	Housing, blower 59	52 027 15
7	Cover, air duct-w/heater plate hole 66	52 282 03	12	Housing, blower 60	52 027 16
8	Duct, #1 side air 3, 43, 52, 66	52 281 08	13	Screw, hex. wash. hd. 10-32 (4) 16, 22	X-67-64
8	Duct, #1 side air 7, 33, 70	52 281 04	14	Plate, adjusting (2) 16, 22	52 146 05
9	Baffle, #1 cylinder head 2, 16, 27, 59, 60	52 124 01	15	Deflector, grass 16, 22	52 265 04
9	Baffle, #1 cylinder head 3	52 124 03	16	Screw, hex. wash. hd. 1/4-20 x 7/16 (21) 2, 25, 27, 29, 59, 60	X-67-83
9	Baffle, #1 cylinder head 7, 33	52 124 36	16	Screw, hex. wash. hd. 1/4-20 x 7/16 (28) 3, 7, 33, 43, 52, 66	X-67-83
10	Baffle, #1 cylinder head - with rear cyl. baffle 25, 72	52 124 23			
10	Baffle, #1 cylinder head - with rear cyl. baffle 9, 22, 61,	52 124 05			

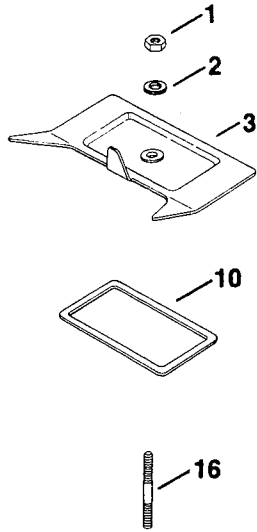
Index Number	Description Variation Number	Part Number	Index Number	Description Variation Number	Part Number
16	Screw, hex. wash. hd. 1/4-20 x 7/16 (20) 9, 51, 61, 72	X-67-83	18	Baffle, #2 cylinder head - with rear cyl. baffle 25	52 124 18
16	Screw, hex. wash. hd. 1/4-20 x 7/16 (24) 16	X-67-83	18	Baffle, #2 cylinder head - with rear cyl. baffle 9, 70	52 124 28
16	Screw, hex. wash. hd. 1/4-20 x 7/16 (27) 70	X-67-83	18	Baffle, #2 cylinder head - with rear cyl. baffle 72	52 124 30
16	Screw, hex. wash. hd. 1/4-20 x 7/16 (23) 22	X-67-83	19	Screw, hex. hd. 1/4-20 x 9/16 9, 22, 61, 72	X-67-69
17	Baffle, #2 cylinder head 2, 3, 16, 27, 29, 43, 52, 59, 60, 66	52 124 02	20	Baffle, #2 cylinder top 2, 3, 7, 9, 16, 22, 25, 27, 29, 33, 43 51, 52, 59, 60, 61, 66, 70, 72	52 063 01
17	Baffle, #2 cylinder head 51	52 124 35	21	Support, upper housing 2, 3, 7, 9, 16, 22, 25, 27, 29, 33, 43 51, 52, 59, 60, 61, 66, 70, 72	52 217 01
18	Baffle, #2 cylinder head - rear cyl. baffle 7, 22, 33, 61	52 124 11			



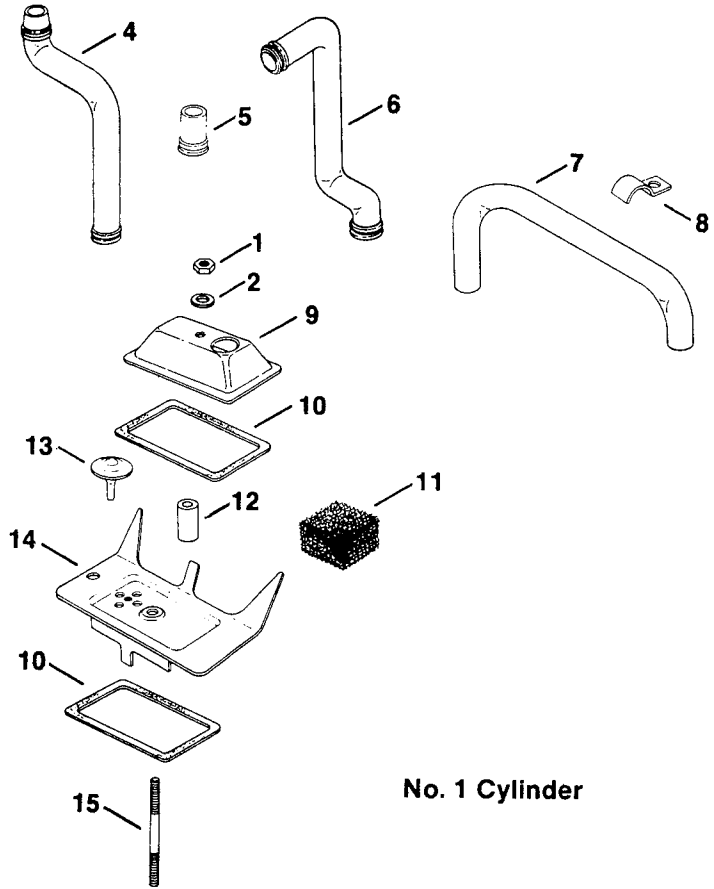
Index Number	Description Variation Number	Part Number	Index Number	Description Variation Number	Part Number
1	Baffle 6	52 063 07	7	Baffle, #1 cylinder head 6	52 063 08
2	Screw, hex. wash. hd. 1/4-20 x 1 (2) 6	X-67-96	8	Housing, blower 6	52 027 03
3	Spacer (2) 6	X-400-121	9	Screw, hex. wash. hd. 1/4-20 x 7/16 (27) 6	X-67-83
4	Scroll 6	52 416 01	10	Baffle, #2 cylinder head 6	52 063 09
5	Screw, hex. wash. hd. #10-24 x 3/8 (4) 6	X-67-97	11	Baffle, #2 cylinder top 6	52 063 02
6	Cover, scroll 6	52 096 10	12	Support, upper housing 6	52 217 01

KT17-KT19 **SERIES II**

Group 3 BREATHER & VENT



No. 2 Cylinder

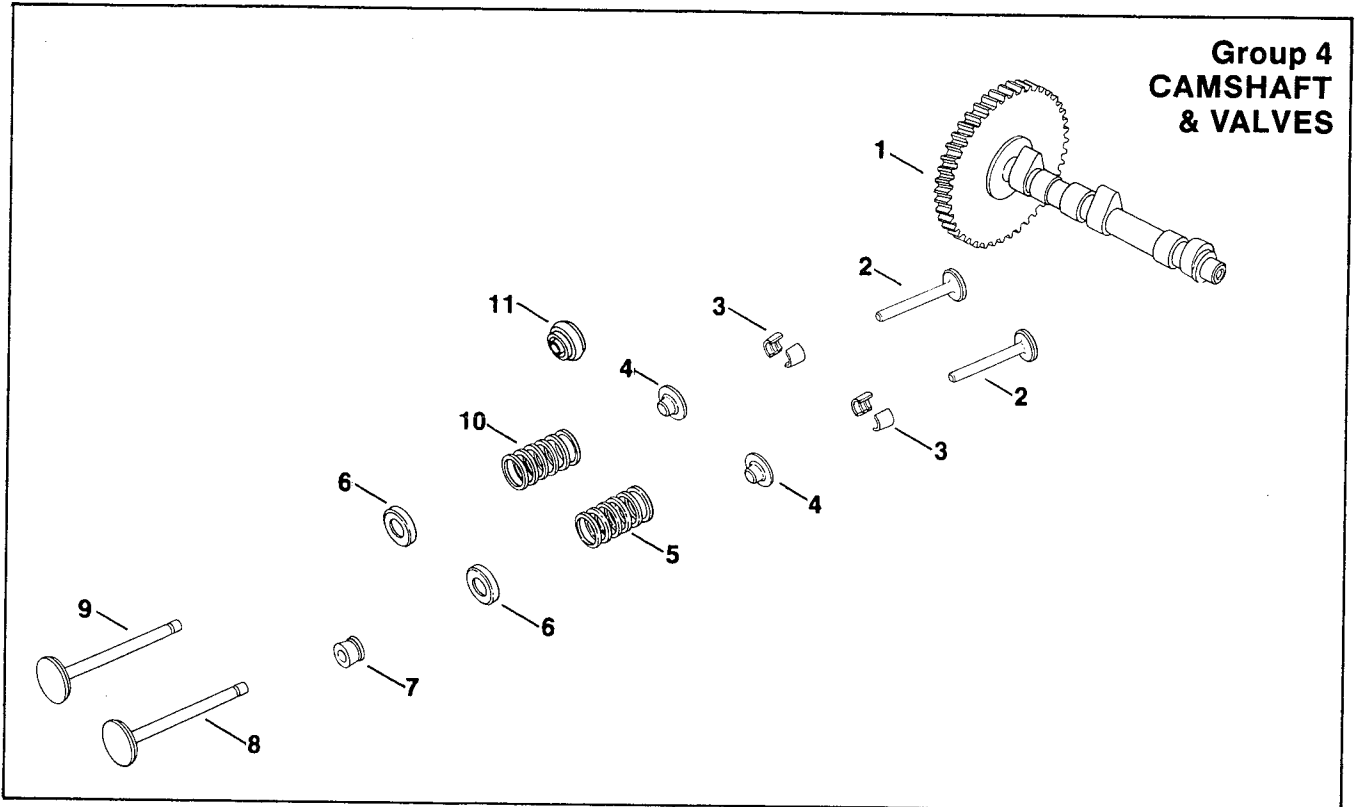


No. 1 Cylinder

Index Number	Description Variation Number	Part Number	Index Number	Description Variation Number	Part Number
1	Nut, hex 1/4-20 (2) 3, 4, 5, 6	X-81-1	9	Cover, #1 upper cyl. valve 3, 4, 5, 6	52 096 08
2	Washer, plain 1/4" (2) 3, 4, 5, 6	X-25-12	10	Gasket, valve cover (3) 3, 4, 5, 6	52 055 01
3	Cover, #2 cylinder valve 3, 4, 5	52 096 18	11	Filter, breather 3, 4, 5, 6	231419
3	Cover, #2 cylinder valve 6	52 254 08	12	Seal, breather 3, 4, 5, 6	52 032 04
4	Hose, breaker 3	52 326 05	13	Valve, umbrella 3, 4, 5, 6	52 462 01
4	Hose, breather 4	52 326 06	14	Cover, #1 lower cyl. valve 3, 4, 5	52 096 22
5	Hose, breather 5	52 326 07	14	Cover, #1 lower cyl. valve 6	52 254 07
6	Hose, breather 6	52 326 08	15	Stud, #1 cyl. valve cover - 1/4-20 x 3-1/4 3, 4, 5, 6	275220
7	Tube, breather 5	52 123 05	16	Stud, #2 cyl. valve cover - 1/4-20 x 2-1/4 3, 4, 5, 6	X-352-39
8	Clip, tube 5	52 154 02			

KT17-KT19 **SERIES II**

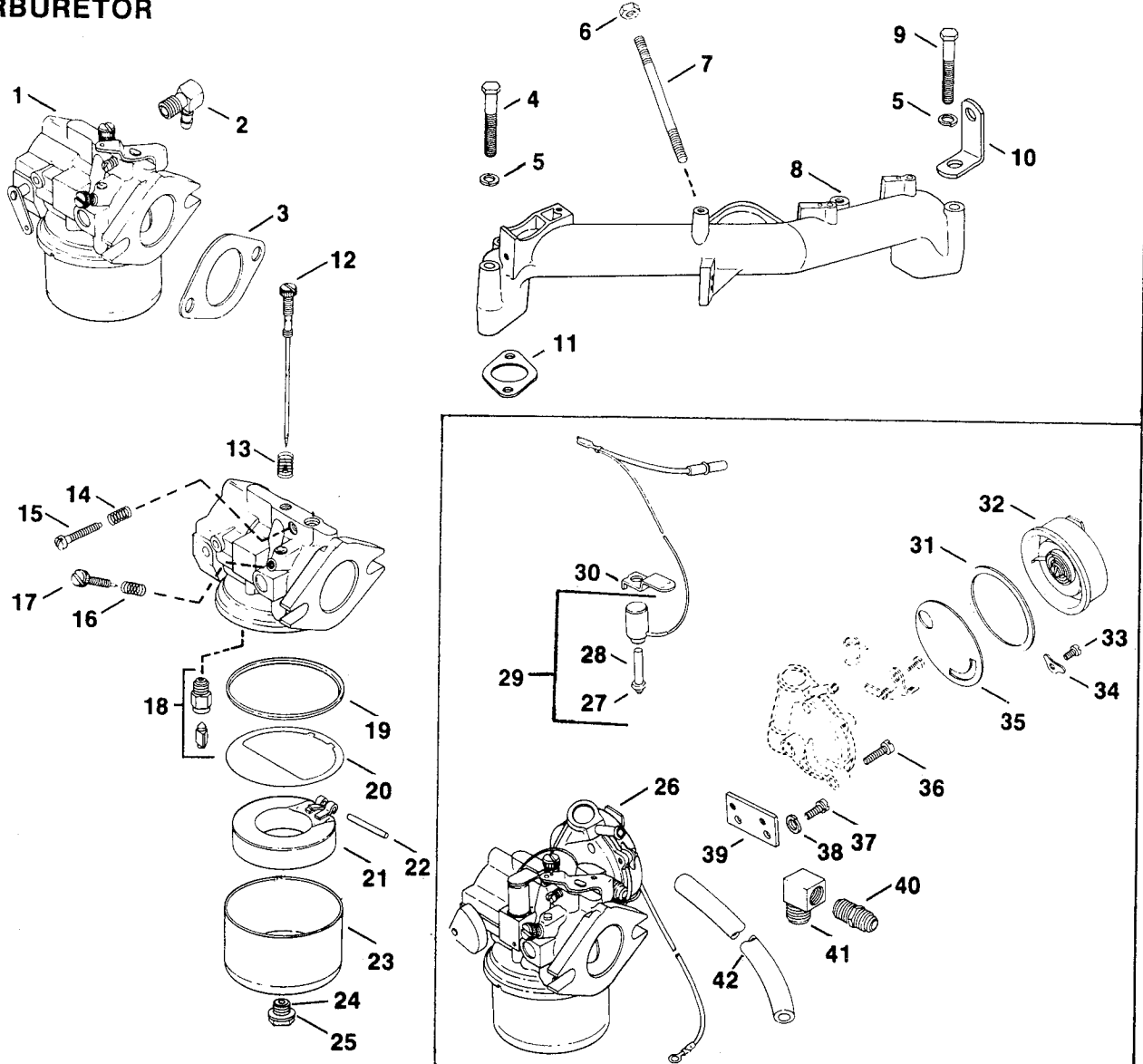
Group 4 CAMSHAFT & VALVES



Index Number	Description Variation Number	Part Number	Index Number	Description Variation Number	Part Number
1	Camshaft 10, 11, 12, 13, 14	52 012 06	8	Valve, intake (2) 13	52 017 02
2	Tappet (4) 10, 11, 12, 13, 14	52 019 02	8	Valve, intake (2) 11, 14	52 017 05
3	Kit, retainer (4) 10, 11, 12, 13, 14	41 755 10	9	Valve, exhaust (2) 10	52 016 01
4	Retainer, spring (4) 10, 11	230011	9	Valve, exhaust (2) 12, 13	52 016 02
4	Retainer, spring (2) 12, 13, 14	230011	9	Valve, exhaust (2) 14	52 016 04
5	Spring, intake valve (2) 10, 11, 12, 13, 14	230010	9	Valve, exhaust (2) 11	52 016 03
6	Retainer, spring (4) 10, 11, 12, 13, 14	52 018 01	10	Spring, exhaust valve (2) 10, 11	230010
7	Seal, valve stem (2) 10, 11, 12, 13, 14	52 032 05	10	Spring, exhaust valve (2) 12, 13, 14	230168
8	Valve, intake (2) 10, 12	52 017 01	11	Rotator, valve (2) 12, 13, 14	230020

KT17-KT19 **SERIES II**

Group 5 CARBURETOR



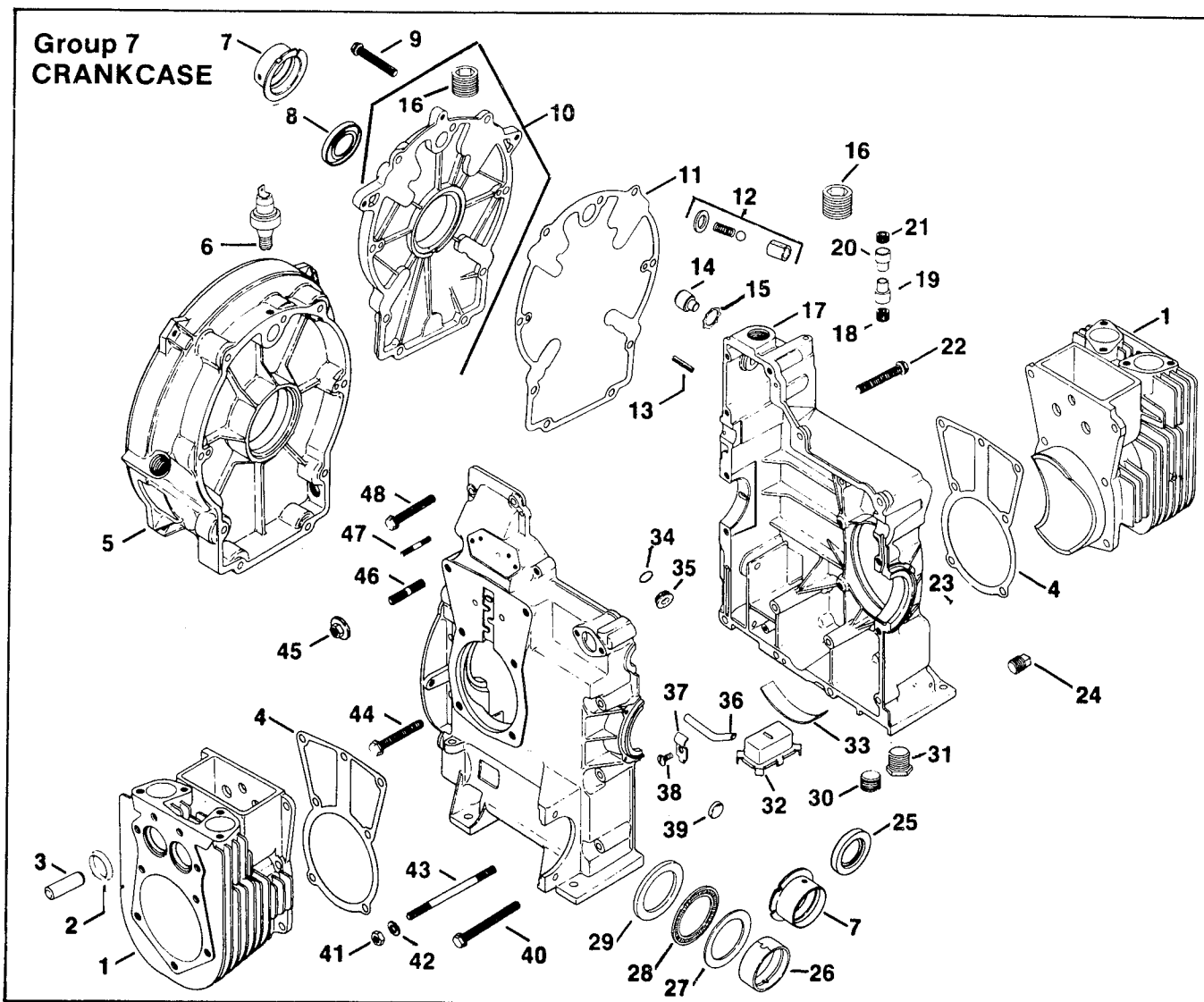
Index Number	Description Variation Number	Part Number	Index Number	Description Variation Number	Part Number
1	Carburetor - assembly (Includes 12 thru 25) 12, 15	52 053 18	4	Screw, H.C. 5/16-18 x 2-3/4 15	X-6-8
1	Carburetor - assembly (Includes 12 thru 25) 13, 23	52 053 09	5	Washer, lock 5/16 (4) 11, 12, 13, 15, 20, 21, 23	X-21-1
1	Carburetor - assembly (Includes 12 thru 25) 20	52 053 16	6	Nut, hex. jam 5/16-18 (2) 11, 12, 13, 15, 20, 21, 23	X-77-2
1	Carburetor - assembly (Includes 12 thru 25, 27 thru 30) 21	52 053 28	7	Stud 5/16-18 x 1 (2) 11, 12, 13, 15, 20, 21, 23	X-352-37
2	Connector, hose (Replaced by 25 155 02) 12, 13, 15, 20, 21, 23	X-391-1	8	Manifold, intake (Replaced by 52 164 06) 12, 13, 15, 20, 21	52 164 01
3	Gasket, carburetor 11, 12, 13, 15, 20, 21, 23	271030	8	Manifold, intake 11	52 358 02
4	Screw, H.C. 5/16-18 x 2-3/4 (2) 11, 12, 13, 20, 21, 23	X-6-8	8	Manifold, intake 23	52 164 06
			9	Screw, H.C. 5/16-18 x 2-7/8 (3) 11, 12, 13, 20	X-6-54
			9	Screw, H.C. 5/16-18 x 2-7/8 (2) 10, 15, 21, 23	X-6-54

KT17-KT19 **SERIES II**

CARBURETOR (Cont'd.)

Index Number	Description Variation Number	Part Number	Index Number	Description Variation Number	Part Number
10	Strap, lifting (2) 11, 12, 13, 15, 20, 21, 23	52 445 02	27	Ring, "O" 11, 21	41 141 03
11	Gasket, intake manifold (2) 11, 12, 13, 15, 20, 21, 23	52 041 09	28	Plunger, solenoid 11, 21	41 385 01
12	Needle, main fuel adj. 12, 13, 15, 20, 21, 23	52 103 01	29	Kit, solenoid 11, 21	41 755 12
12	Needle, main fuel adj. 11	52 103 02	30	Bracket, solenoid 11	45 126 12
13	Spring, main fuel 11, 12, 13, 15, 20, 21, 23	200383	30	Bracket, solenoid 21	52 126 04
14	Spring, idle speed 11, 12, 13, 15, 20, 21, 23	232555	31	Gasket 11	277281
15	Screw, idle speed adj. 11, 12, 13, 15, 20, 21, 23	232556	32	Heater, choke 11	52 175 01
16	Spring, idle fuel 11, 12, 13, 15, 20, 21, 23	200380	33	Screw, F.H.M. 8-32 x 1/4 (2) 11	X-14-6
17	Needle, idle fuel adj. 12, 13, 15, 20, 21, 23	277210	34	Retainer, choke heater (2) 11	277275
17	Needle, idle fuel adj. 11	235006	35	Plate, baffle 11	277297
18	Fuel inlet needle & seat <i>Available only in carburetor repair kit 25 757 02</i>		36	Screw, F.H.M. 10-32 x 7/16 (2) 11	X-15-14
19	Gasket, bowl 11, 12, 13, 15, 20, 21, 23	200375*	37	Screw, F.H.M. 10-32 x 5/8 (2) 11	X-15-1
20	Gasket, bowl baffle 11, 12, 13, 15, 20, 21, 23	25 041 02	38	Washer, lock #10 (2) 11	X-19-1
21	Float Kit <i>(includes #20)</i> 11, 12, 13, 15, 20, 21, 23	25 757 03	39	Bracket, choke 11	48 126 01
22	Pin, float hinge 11, 12, 13, 15, 20, 21, 23	200376*	40	Connector 11	X-296-1
23	Bowl, fuel 11, 12, 13, 15, 20, 21, 23	235448	41	Elbow 11	X-555-2
24	Screw, bowl retainer 11, 12, 13, 15, 20, 21, 23	47 100 06	42	Line, fuel 11	X-810-8
25	Gasket, bowl retainer screw 11, 12, 13, 15, 20, 21, 23	200372	<i>*included in Carburetor repair kit 25 757 02</i>		
26	Carburetor - assembly <i>(Includes 12 thru 25, 27 thru 42)</i> 11	52 053 15	Not Illustrated		
	Kit, carburetor repair ALL	25 757 02	Lead, choke ground (10" - 18 gauge -push on tab and uninsulated barrel eyelet terminals) 11		
			Lead, solenoid ground (5" - 18 gauge - push on tab and uninsulated barrel eyelet terminals) 11, 21		

KT17-KT19 SERIES II



Index Number	Description Variation Number	Part Number	Index Number	Description Variation Number	Part Number
1	Barrel, cylinder (2) (Includes 2 & 3) 88, 91, 92, 93, 94, 96, 97	52 565 27	7	Bearing, sleeve - P.T.O. end 97	52 030 10
1	Barrel, cylinder (2) (Includes 2 & 3) 89, 99, 100, 101	52 565 41		Bearing, sleeve .010 U.S.	52 030 11
2	Insert, valve seat (4) 88, 89, 91, 92, 93, 94, 96, 97, 99, 100, 101	230265	8	Bearing, sleeve .020 U.S.	52 030 12
3	Guide, valve (2) 88, 89, 91, 92, 93, 94, 96, 97, 99, 100, 101	52 316 06	8	Seal, rear oil 88, 91, 92, 93, 96, 97, 101	X-583-5
4	Gasket, cylinder barrel (2) ALL	52 041 04	8	Seal, rear oil (2) 94, 99	X-583-5
5	Adapter, generator 96	52 029 07	8	Seal, rear oil 89, 100	52 032 08
6	Switch, low oil pressure cutout 96	52 099 03	9	Screw, washer hd. 5/16-18 x 1 (9) ALL	X-802-9
7	Bearing, sleeve (2) 88, 89, 91, 92, 93, 94, 96, 99, 100, 101	52 030 10	10	Plate, rear closure 91	52 755 41
	Bearing, sleeve .010 U.S.	52 030 11	10	Plate, rear closure 92, 93, 97, 100, 101	52 755 42
	Bearing, sleeve .020 U.S.	52 030 12	10	Plate, rear closure 88, 89	52 755 43
			10	Plate, rear closure 94, 99	52 755 44

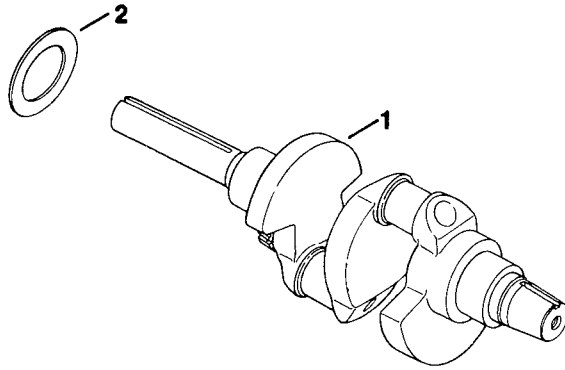
KT17-KT19 **SERIES II**

CRANKCASE (Cont'd.)

Index Number	Description Variation Number	Part Number	Index Number	Description Variation Number	Part Number
11	Gasket, rear closure plate 88, 89, 91, 92, 93, 94, 95, 97, 99, 100, 101	52 041 08	30	Plug, hex. ctsk. hd. 3/8 (2) 88, 89, 92, 93, 97, 100, 101	X-75-32
12	Kit, oil relief 88, 89, 91, 92, 93, 94, 96, 97, 99, 100, 101	52 755 33	31	Plug, bottom drain 3/8 92	52 139 02
13	Pin, roll ALL	X-280-10	32	Housing, oil 88, 89, 91, 92, 93, 94, 96, 97, 99, 100, 101	52 095 03
14	Shaft, governor ALL	52 078 02	33	Clip, spring 88, 89, 91, 92, 93, 94, 96, 97, 99, 100, 101	52 237 02
15	Ring, retaining ALL	X-269-43	34	O-Ring 88, 89, 91, 92, 93, 94, 96, 97, 99, 100, 101	52 141 02
16	Plug, pipe - hex/ ctsk. 1/16 88, 91, 92, 93, 94, 97, 99, 100, 101	52 139 07	35	Plug 3/4" O.D. 88, 89, 91, 92, 93, 94, 96, 97, 99, 100, 101	52 139 08
16	Plug, pipe - hex/ ctsk. 1/16 (2) 89	52 139 07	36	Tube, oil pickup 88, 89, 91, 92, 93, 94, 96, 97, 99, 100, 101	52 123 10
17	Crankcase Service with a SHORT BLOCK. Refer to KT17-KT19 Series II Selection Guide TP-2166.		37	Clamp 88, 89, 91, 92, 93, 94, 96, 97, 99, 100, 101	52 237 04
18	Bearing, lower needle 96	52 030 03	38	Screw 88, 89, 91, 92, 93, 94, 96, 97, 99, 100, 101	X-67-64
19	Bushing, lower 96	52 158 02	39	Plug, cup 5/16 88, 89, 91, 92, 93, 94, 96, 97, 99, 100, 101	X-702-15
20	Bushing, upper 96	52 158 03	40	Screw, hex. flange 5/16-18 x 3-1/2 (6) ALL	X-802-7
21	Bearing, upper needle 96	52 030 04	41	Nut, hex. 5/16-18 (2) 88, 89, 92, 93, 94, 96, 97, 99, 100, 101	X-82-2
22	Screw, hex. flange 5/16-18 x 2 (2) ALL	X-802-8	41	Nut, hex. 5/16-18 (3) 91	X-82-2
23	Plug, hex. ctsk. 1/8 96	X-75-23	42	Washer, plain (3) 91	41 468 01
24	Plug, solid sq. hd. 3/8 88, 89, 91, 93, 94, 96, 97, 99, 100, 101	X-75-10	42	Washer, plain (2) 88, 89, 92, 93, 94, 96, 97, 99, 100, 101	41 468 01
25	Seal, front oil 88, 89, 91, 92, 93, 94, 96, 97, 99, 100, 101	52 032 10	43	Stud 5/16-18 x 4-1/8 (2) ALL	X-352-33
26	Bearing, sleeve - flywheel end 97	52 030 14	44	Screw, hex. wash. hd. 3/8-16 x 3-5/8 (2) ALL	X-802-10
	Bearing, sleeve .010 U.S.	52 030 15	45	Nut, whizlock flange 3/8-16 (12) ALL	52 100 03
	Bearing, sleeve .020 U.S.	52 030 16	46	Stud 3/8-16 x 2 (12) 88, 89, 91, 92, 93, 94, 96, 97, 99, 100, 101	52 072 01
27	Washer, thrust 97	52 468 09	47	Stud 5/16-18 x 2-1/2 91	52 072 02
28	Bearing, roller thrust 97	52 030 13	48	Screw, hex. flange 5/16-18 x 1-1/2 (2) ALL	X-802-6
29	Washer, thrust 97	52 114 04			
30	Plug, hex. ctsk. hd. 3/8 91, 94, 96, 99	X-75-32			

KT17-KT19 **SERIES II**

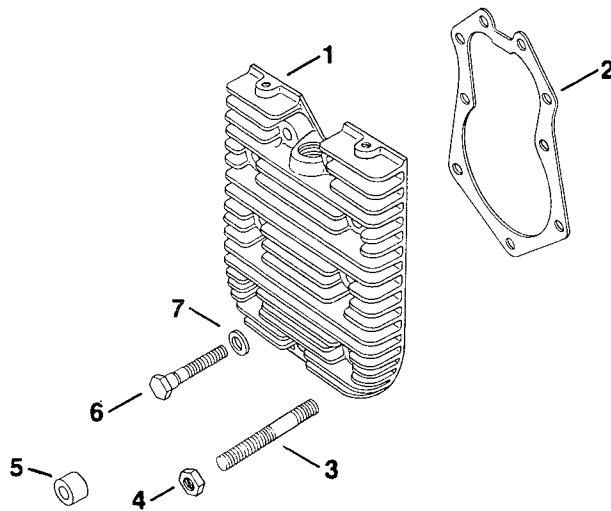
Group 8 CRANKSHAFT



Index Number	Description Variation Number	Part Number	Index Number	Description Variation Number	Part Number
1	Crankshaft (Basic KT17) 80	52 014 63	1	Crankshaft (3-25/32" x 1-1/8" tapped P.T.O.) 90	52 014 73
1	Crankshaft (Basic KT19) 81	52 014 69	1	Crankshaft (3-25/32" x 1-1/8" tapped P.T.O.) 92	52 014 76
1	Crankshaft (2-37/64" x 1-1/8" tapped P.T.O.) 83	52 014 65	1	Crankshaft (2-23/32" x 1-1/4" tapped P.T.O.) 93	52 014 71
1	Crankshaft (2-51/64" x 1-1/8" tapped P.T.O.) 84	52 014 66	2	Washer, thrust .119/.122 (A.R.) 80, 81, 83, 84, 85, 87, 88, 90, 92, 93, 96	52 468 03
1	Crankshaft (3-9/16" x 1" P.T.O.) 85	52 014 64	2	Washer, thrust .128/.131 80, 81, 83, 84, 85, 87, 88, 90, 92, 93, 96	52 468 04
1	Crankshaft (Generator Set) 87	52 014 67	2	Washer, thrust .137/.140 (A.R.) 80, 81, 83, 84, 85, 87, 88, 90, 92, 93, 96	52 468 05
1	Crankshaft (3-9/16" x 1-14 thread—tapped P.T.O.) 88	52 014 68			

KT17-KT19 **SERIES II**

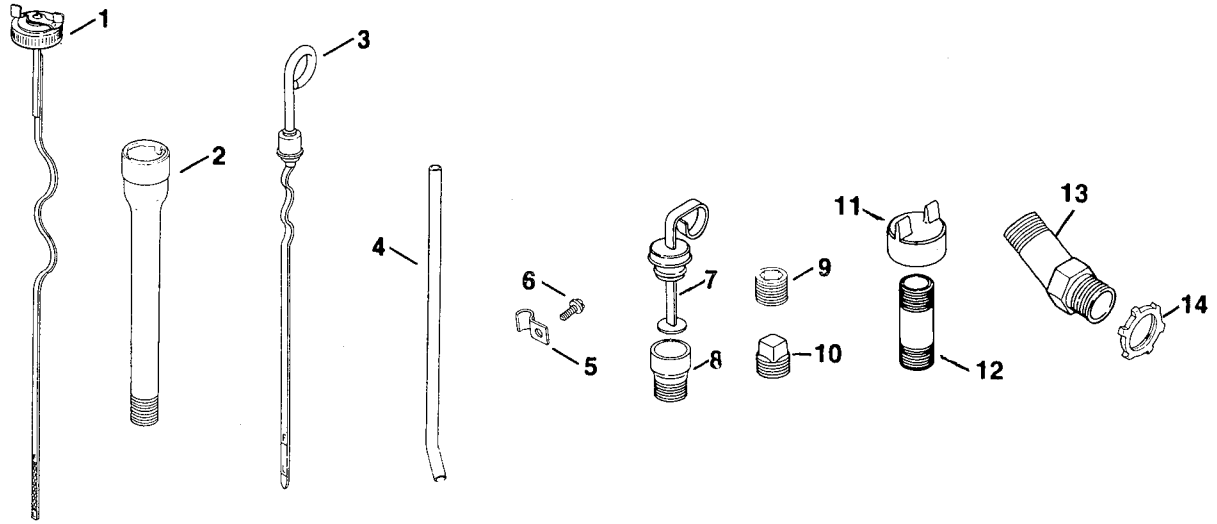
Group 9 CYLINDER HEAD



Index Number	Description Variation Number	Part Number	Index Number	Description Variation Number	Part Number
1	Head, cylinder #1 & #2 (2) 1, 8	52 015 06	4	Nut, hex. 5/16-18 8	X-82-2
1	Head, cylinder #1 & #2 (2) 5	52 015 07	5	Spacer 11/32" I.D. 8	52 112 06
2	Gasket, cylinder head (2) 1, 5, 8	52 052 03	6	Screw, cylinder head (18) 1, 5	41 086 02
3	Stud, cylinder head 8	232810	6	Screw, cylinder head (17) 8	41 086 02
			7	Washer, cylinder head (18) 1, 5, 8	220534

KT17-KT19 **SERIES II**

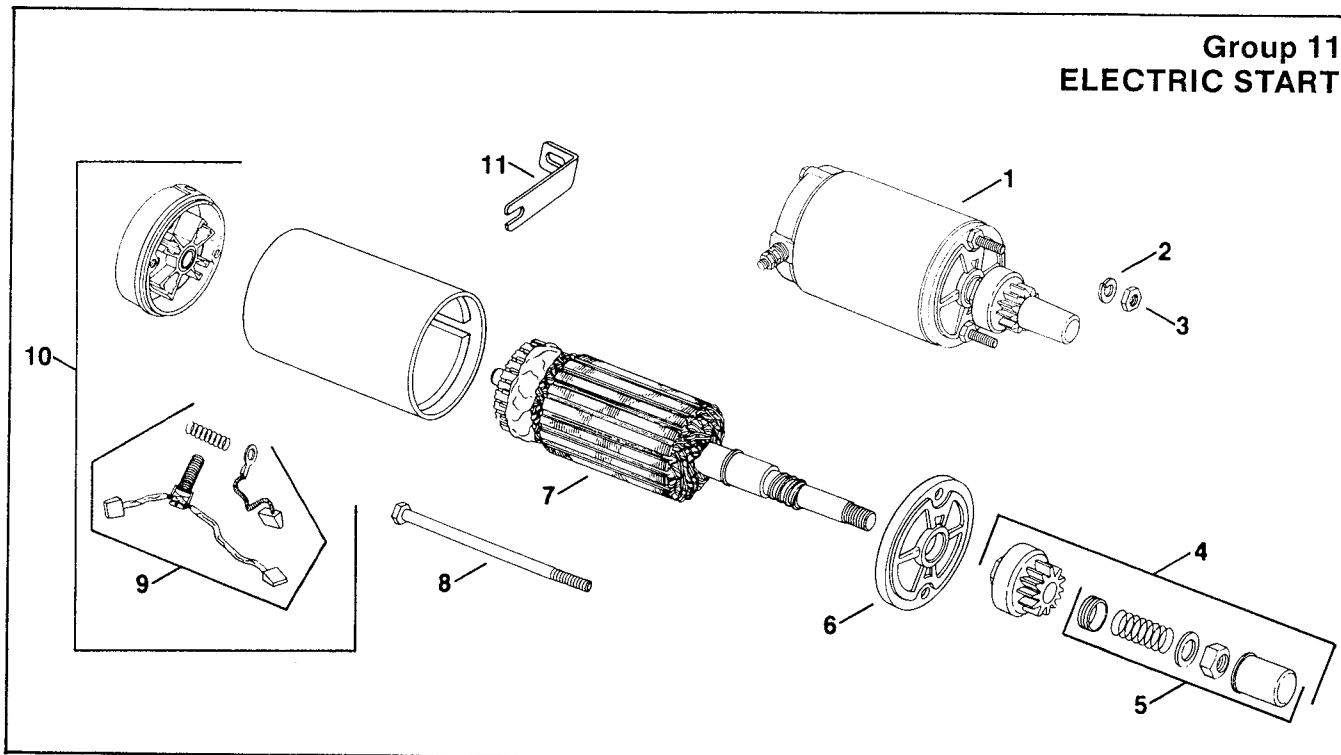
Group 10 DIPSTICK



Index Number	Description Variation Number	Part Number	Index Number	Description Variation Number	Part Number
1	Dipstick, oil level 2	52 272 02	8	Tube, oil fill 8	47 123 08
2	Tube, oil fill 2	277723	9	Plug, oil fill - hex ctsk. hd. 2	47 139 01
3	Dipstick, oil level 9, 10, 12, 13, 14, 15	52 038 04	10	Plug, oil fill - square hd. 9, 10	X-75-6
3	Dipstick, oil level 8	52 038 05	11	Pipe, cap 12, 13, 14, 15	52 173 01
4	Tube, oil level 8, 9, 10, 12, 13, 14, 15	52 123 09	12	Pipe, oil fill 3/4 I.P. x 2-1/2" 12, 13	46 136 02
5	Clip, tube 8, 9, 10, 12, 13, 14, 15	52 154 01	13	Tube, oil fill 14, 15	52 134 04
6	Screw, tapping 10 - 24 x 3/8 8, 9, 10, 12, 13, 14, 15	X-67-64	14	Nut, lock 14, 15	X-427-1
7	Plug, oil fill - dipstick type 8	52 038 02			

KT17-KT19 **SERIES II**

Group 11 ELECTRIC START

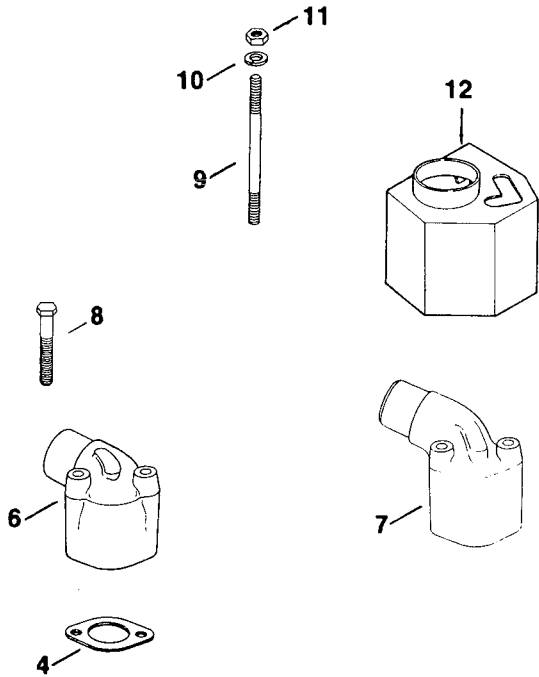


Index Number	Description Variation Number	Part Number	Index Number	Description Variation Number	Part Number
1	Starter - assembly (AMBAC SM-18190) (Includes 4 thru 10)		7	Armature	
	1	52 098 03	5		52 170 03
1	Starter - assembly (AMBAC SM-18191) (Includes 4 thru 10)		8	Bolt, thru (2)	
	3	52 098 04	1, 3		52 211 01
1	Starter - assembly (AMBAC SM-21349) (Includes 4 thru 10)		8	Bolt, thru (2)	
	5	52 098 06	5		52 211 03
2	Washer, split lock 1/4 (2)		9	Kit, brush & spring	
	1, 3, 5	X-20-1	1		48 755 15
3	Nut, hex 1/4-20 (2)		9	Kit, brush & spring	
	1, 3, 5	X-81-1	3, 5		52 755 15
4	Kit, drive (Includes 5)		10	Kit, commutator end cap (Includes brush holder, brushes & springs)	
	1, 3, 5	52 755 05	1		48 227 04
5	Kit, drive parts		10	Kit, commutator end cap (Includes brush holder, brushes & springs)	
	1, 3, 5	52 755 08	3		52 227 03
6	Cap, drive end		10	Kit, commutator end cap (Includes brush holder, brushes & springs)	
	1, 3, 5	52 227 01	5		52 227 07
7	Armature		11	Bracket, starter support	
	1, 3	52 170 02	5		52 126 03

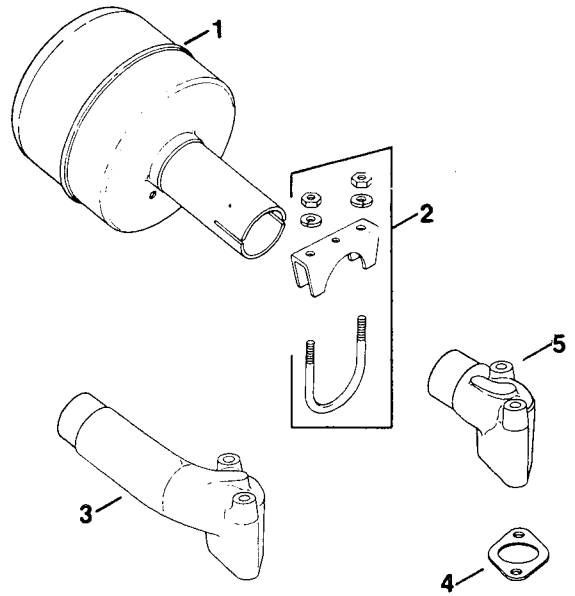
KT17-KT19 **SERIES II**

Group 12 EXHAUST

No. 2 Exhaust Manifold



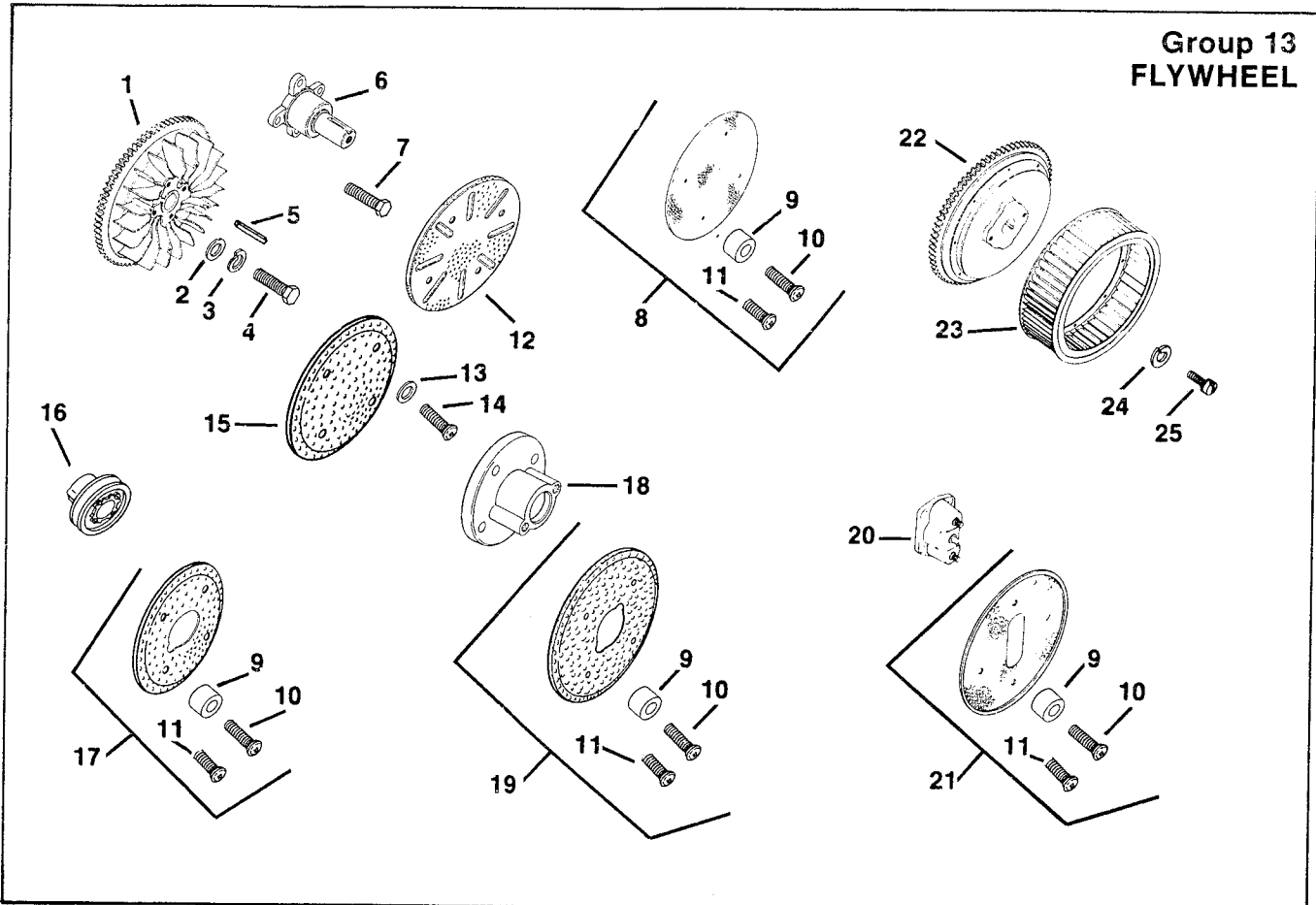
No. 1 Exhaust Manifold



Index Number	Description Variation Number	Part Number	Index Number	Description Variation Number	Part Number
1	Muffler (2)		9	Stud 5/16-18 x 4 (4)	
10		52 068 04	6, 7, 10		X-352-18
2	Clamp, muffler 1-1/2" (2)		9	Stud 5/16-18 x 4 (2)	
10		237548	8		X-352-18
3	Manifold, exhaust - #1		9	Stud 5/16-18 x 4 (3)	
7, 8		52 054 05	13, 14		X-352-18
4	Gasket, manifold (2)		9	Stud 5/16-18 x 4-3/4 (2)	
6, 7, 8, 10, 13, 14 99		52 041 10	8		X-352-43
5	Manifold, exhaust - #1		10	Washer, split lock 5/16 (4)	
6, 10, 13, 14		52 054 01	6, 7, 8, 10, 13, 14		X-21-1
6	Manifold, exhaust - #2		11	Nut, hex. hd. 5/16-18 (4)	
6, 10, 13		52 054 03	6, 7, 8, 10, 13		X-82-2
7	Manifold, exhaust - #2		11	Nut, hex. hd. 5/16-18 (3)	
7, 8, 14		52 054 06	14		X-82-2
8	Screw, H.C. 5/16-18 x 3-1/4		12	Heater, air inlet	
13, 14		52 086 09	13		52 319 01

KT17-KT19 **SERIES II**

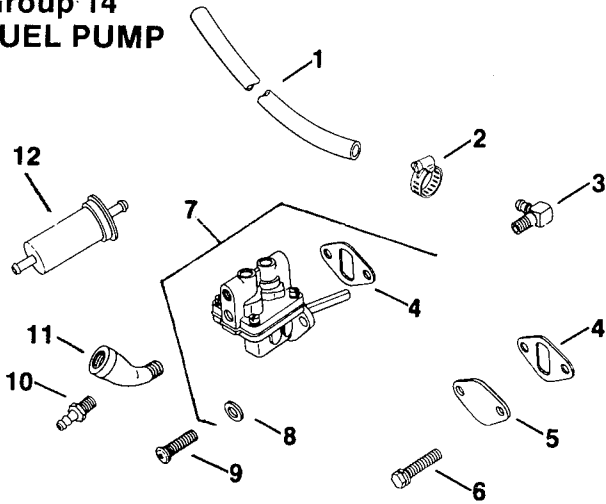
Group 13 FLYWHEEL



Index Number	Description Variation Number	Part Number	Index Number	Description Variation Number	Part Number
1	Flywheel 21, 23, 29, 31, 40, 47, 201	52 025 25	11	Screw, T.H. nylock 1/4-20 x 5/8 (4) 23, 27, 29, 31, 34, 201	47 086 08
1	Flywheel 26, 50	52 025 20	12	Screen, gras—metal 50	52 162 21
1	Flywheel 27	52 025 34	13	Washer, plain 1/4 (4) 26, 50	X-25-52
1	Flywheel 34	52 025 26	14	Screw, T.H. nylock 1/4-20 x 5/8 (4) 26, 50	47 086 08
2	Washer 21, 23, 26, 29, 31, 34, 39, 40, 47, 50, 201	52 114 02	15	Screen, grass—metal 26	52 162 15
2	Washer 27	52 114 01	16	Cup, drive 27	52 071 01
3	Washer, lock 3/8 21, 23, 26, 27, 29, 31, 34, 39, 40, 47, 50, 201	X-22-1	17	Kit, plastic grass screen (Round Hole) 201	52 755 22
4	Screw, H.C. 3/8-24 x 1-1/4 21, 23, 26, 27, 29, 31, 24, 39, 40, 47, 50, 201	X-7-38	17	Kit, plastic grass screen 27	52 755 30
5	Key, square 3/16 x 1-3/8 21, 23, 26, 27, 29, 31, 34, 39, 40, 47, 50, 201	X-286-17	18	Adapter, front drive 31	237373
6	Shaft, front drive 40	52 144 07	19	Kit, plastic grass screen 31	52 755 29
7	Screw, H.C. 3/8-16 x 1 (4) 29, 31, 40	X-159-2	20	Shaft, front drive 29	52 144 08
8	Kit, plastic grass screen 23, 34	52 755 31	21	Kit, plastic grass screen 29	52 755 28
9	Spacer 1/4 (4) (Used only with 47 086 06 screw) 23, 27, 29, 31, 34, 201	X-400-69	22	Flywheel 39	52 025 24
10	Screw, T.H. nylock 1/4-20 x 7/8 (4) (Used only with X-400-69 spacer) 23, 27, 29, 31, 34, 201	47 086 06	23	Fan 39	52 157 01
			24	Washer, split lock (8) 39	X-19-1
			25	Screw, hex. socket hd. (8) 39	X-55-4

KT17-KT19 **SERIES II**

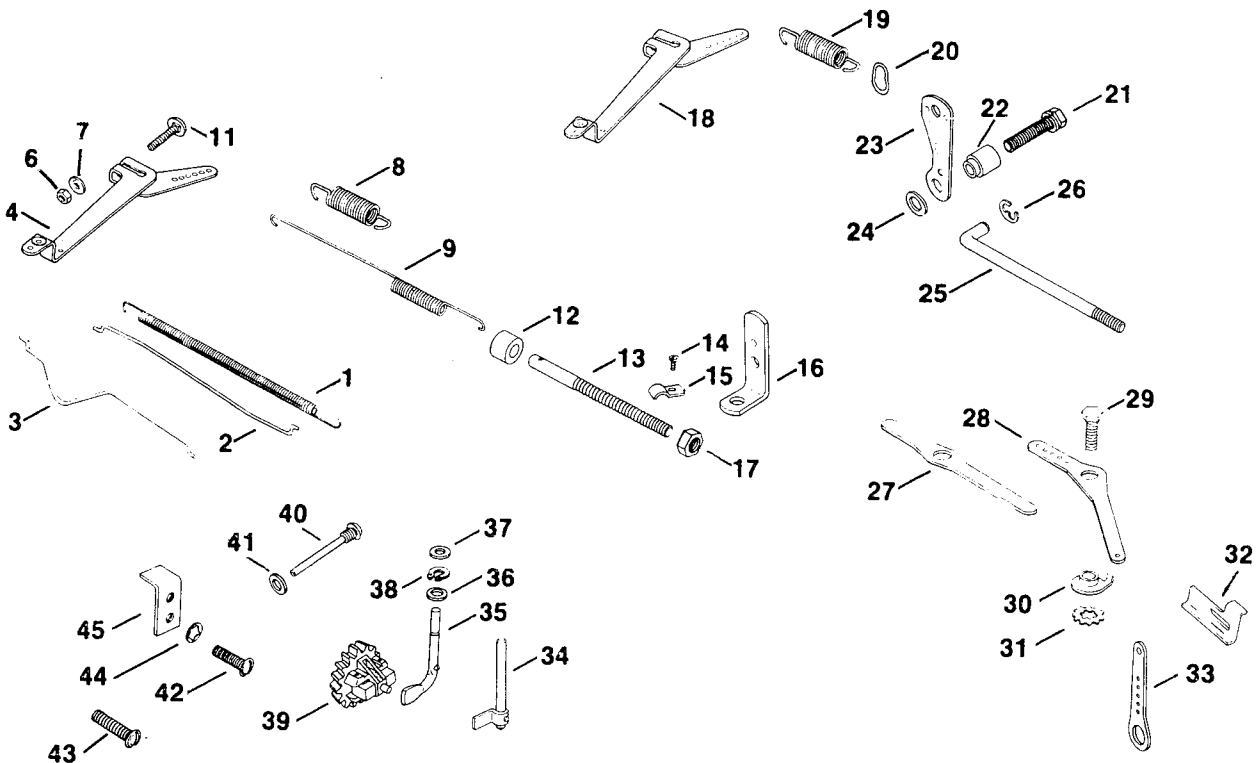
Group 14 FUEL PUMP



Index Number	Description Variation Number	Part Number
1	Hose 1/4 x 1/2 x 6 5, 6, 100	X-810-12
1	Line. fuel 6-1/2 7, 8,	X-810-3
2	Clamp hose (2) 5, 6, 7, 8, 100	X-426-9
3	Connector, hose (Replaced by 25 155 02) 5, 7, 100	X-391-1

Index Number	Description Variation Number	Part Number
3	Connector, hose (2) (Replaced by 25 155 02) 6	X-391-1
3	Connector, hose 8	25 155 02
4	Gasket, fuel pump 2, 5, 6, 8, 100	47 041 04
4	Gasket, insulating 7	277649
5	Cover, pump pad 2	240282
6	Screw, H. C. 1/4-20 x 1/2 (2) 2	X-132-6
7	Pump, fuel 5, 6, 7, 8, 100	52 559 01
8	Washer, plain (2) 5, 6, 7, 8, 100	X-25-63
9	Screw, truss hd. 1/4-20 x 5/8 (2) 5, 6, 7, 8, 100	47 086 08
10	Connector, hose 5, 7, 8, 100	X-380-1
11	Elbow, 45° street 8	X-274-8
12	Filter, fuel 100	45 050 01

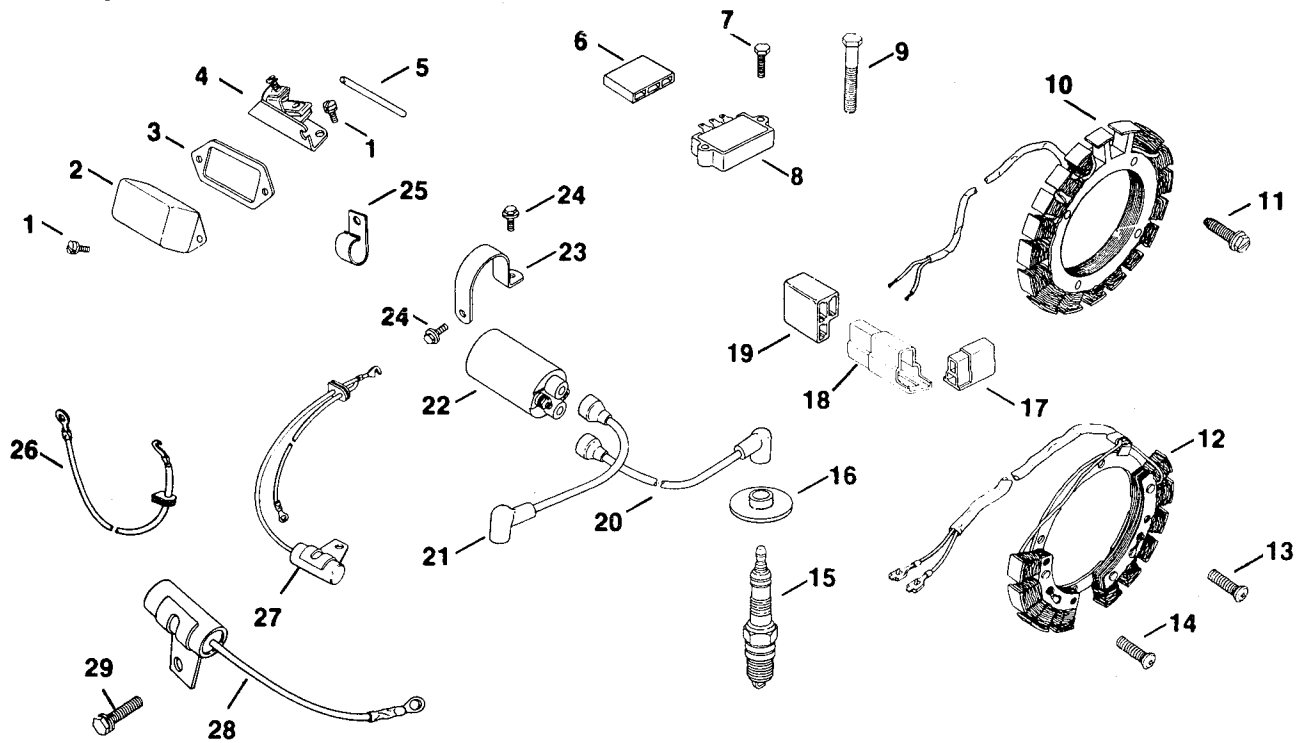
Group 17 GOVERNOR



Index Number	Description Variation Number	Part Number	Index Number	Description Variation Number	Part Number
1	Spring, linkage 3	230117	24	Washer, plain 1/4 3	X-25-63
2	Link, governor 3	52 354 02	25	Rod, ball joint 3	52 411 02
2	Link, governor 6, 10, 15	52 354 03	26	Clip, ring 3	235278
3	Link, governor 7, 8, 14	52 079 02	27	Lever, speed control 7	52 119 02
4	Arm, governor 3	52 187 02	28	Lever, speed control 8	52 119 03
6	Nut, hex 1/4-20 3, 6, 7, 8, 10, 14, 15	X-81-1	29	Screw, H.C. 1/4-20 x 5/8 6, 7, 8, 14, 15	X-5-1
7	Washer, plain 1/4 3, 6, 7, 8, 10, 14, 15	X-25-72	30	Stop, governor 6, 7, 8, 14, 15	234614
8	Spring, governor 6, 10, 14, 15	52 091 04	31	Washer, internal/external tooth 1/4 6, 7, 8, 14	X-22-12
9	Spring, governor 7, 8, 10	52 091 05	32	Stop, hi-speed 15	52 531 01
11	Bolt, R.H. sq. neck 1/4-20 x 1 3, 6, 7, 8, 10, 14, 15	52 211 04	33	Lever, speed control 6, 14, 15	52 119 01
12	Spacer 3	X-400-122	34	Shaft, governor cross 3	52 420 06
13	Rod, speed control 10	236258	35	Shaft, governor 6, 7, 8, 10, 14, 15	52 078 04
14	Screw, H.C. 10-24 x 7/16 (2) 6, 7, 8, 10, 14, 15	X-67-97	36	Washer, plain 1/4 6, 7, 8, 10, 14, 15	X-25-102
14	Screw, H.C. 10-24 x 7/16 3	X-67-97	37	Washer, plain 1/4 (2) 6, 7, 8, 10, 14	X-25-63
15	Clamp, cable (2) 6, 7, 8, 10, 14	235778	38	Retainer, governor 6, 7, 8, 10, 14, 15	X-269-28
15	Clamp, cable 3, 15	235778	39	Kit, governor gear 6, 7, 8, 10, 14, 15	A-235743-S
16	Bracket, throttle cable 8	52 126 02	39	Gear, governor (Replaced by 52 042 03) 3	52 042 02
17	Nut, hex. hd. #10-32 (2) 3, 10	X-70-3	40	Pin, governor stop 3, 6, 7, 8, 10, 14, 15	231355
18	Arm, governor 6, 7, 8, 10, 14	52 187 02	41	Washer, plain 1/4 3, 6, 7, 8, 10, 14, 15	X-25-12
19	Spring, governor 3	52 091 06	42	Screw, R.H.M. 8-32 x 3/8 3	X-51-12
20	Washer, wave 3	275690	43	Screw, R.H.M. 8-32 x 3/4 3	X-51-11
21	Screw, H.C. 1/4-20 x 7/8 3	X-132-7	44	Washer, internal tooth #8 (2) 3	X-22-7
22	Spacer 3	52 112 05	45	Bracket, governor housing 3	52 126 01
23	Lever, throttle & choke control 3	47 090 05			

KT17-KT19 SERIES II

Group 18 IGNITION



Index Number	Description Variation Number	Part Number	Index Number	Description Variation Number	Part Number
1	Screw, F. H. sems 10-24 x 3/8 (4) 2, 4, 5, 6, 7, 9, 10, 11	X-131-1	16	Grommet, spark plug (2) 4, 6	47 313 01
2	Cover, breaker 2, 4, 5, 6, 7, 9, 10, 11	51 096 02	17	Connector - Male 2, 5, 7, 9, 10	48 155 02
3	Gasket, breaker cover 2, 4, 5, 6, 7, 9, 10, 11	52 041 11	18	Connector - Female - two contact 10	48 155 03
4	Breaker 2, 4, 5, 6, 7, 9, 10, 11	47 150 03	19	Connector - Female - three contact 11	236473
5	Rod, breaker push (Replaced by 52 411 05) 2, 5, 6, 7, 9, 10, 11	52 411 01	20	Lead, hi-tension 19" 2, 4, 5, 6, 7, 9, 10, 11	52 348 02
5	Rod, breaker push 4	52 411 04	21	Lead, hi-tension 11" 2, 4, 5, 6, 7, 9, 10, 11	52 348 01
6	Connector - Female - three contact 2, 5, 6, 7, 9, 10	236602	22	Coil, ignition 2, 4, 5, 6, 7, 9, 10, 11	52 145 02
7	Screw, hex. washer hd. 1/4-20 x 1 (2) 2, 6, 7	X-67-96	23	Strap, coil 2, 4, 5, 6, 7, 9, 10, 11	52 445 03
8	Rectifier - regulator 2, 5, 6, 7, 9, 10	41 403 05	24	Screw, tapping 1/4-20 x 7/16 (2) 2, 4, 5, 6, 7, 9, 10, 11	X-67-83
9	Screw, H. C. 1/4-20 x 7/8 (2) 5, 9, 10	X-5-3	25	Clip, lead 7, 11	48 154 02
10	Kit, stator 2, 5, 6, 7, 9, 10	237878	26	Lead, breaker 12" 11	A-230371
11	Screw, H. C. 10-24 x 3/4 (4) 2, 5, 6, 7, 9, 10	X-67-51	27	Condenser (Includes #26) 2, 4, 5, 6, 7, 9, 10	52 147 01
12	Stator 11	45 085 02	28	Condenser 11	52 147 02
13	Screw, fillister hd. 10-24 x 7/16 (3) 11	X-67-84	29	Screw, hex. washer hd. 1/4-20 x 3/4 2, 4, 5, 6, 7, 9, 10, 11	X-67-62
14	Screw, fillister hd. 10-24 x 15/16 11	X-67-85			
15	Spark plug (2) 2, 4, 5, 6, 7, 9, 10, 11	51 132 02			

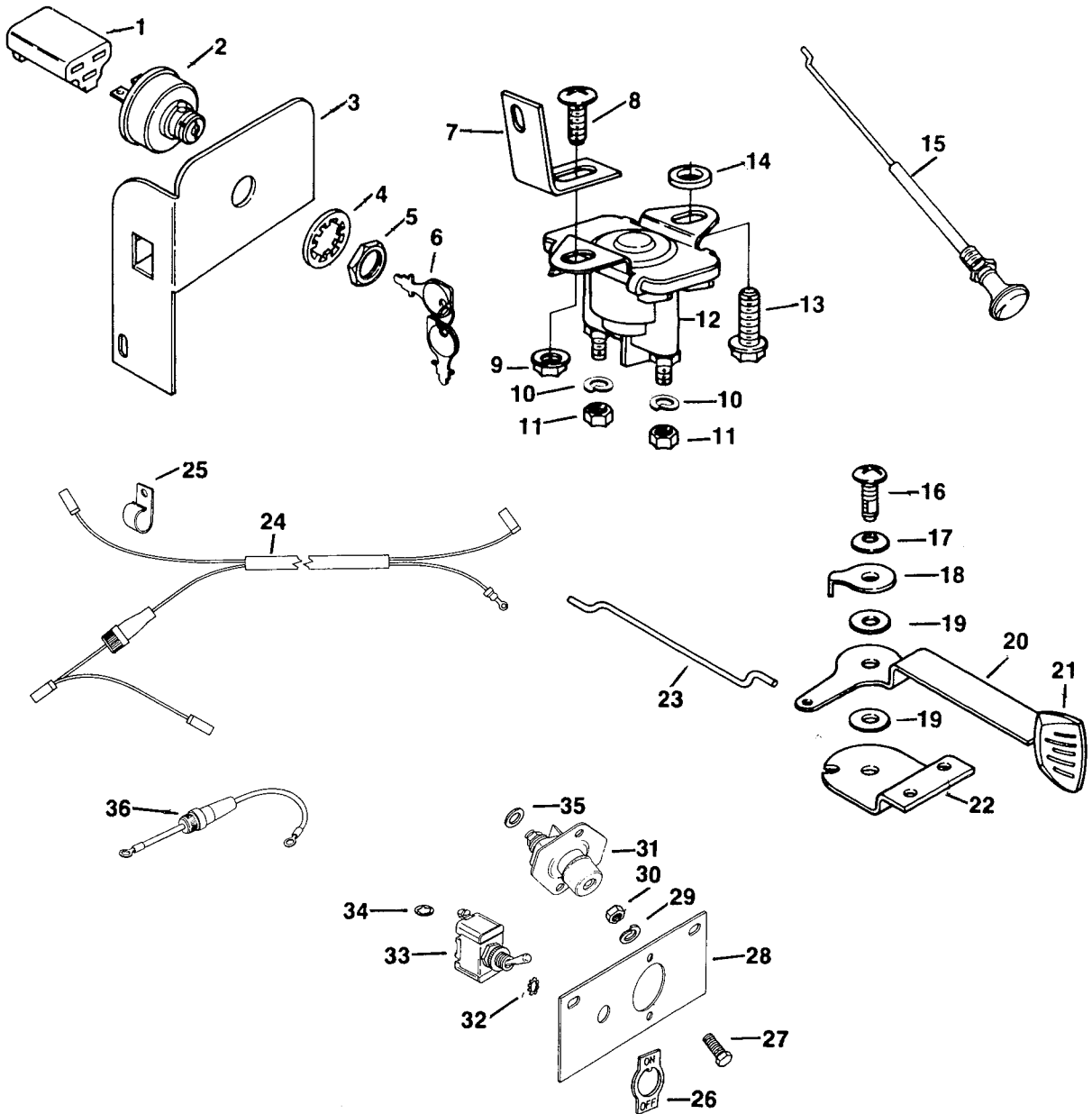
KT17-KT19 **SERIES II**

IGNITION (Cont'd.)

Index Number	Description Variation Number	Part Number	Index Number	Description Variation Number	Part Number
	Not illustrated				
	Lead, coil (10" - 14 gauge - push on tab and insulated barrel eyelet terminals) 11	25 518 07		Lead, rectifier regulator (10" - 18 gauge - push on tab and uninsulated barrel eyelet terminals) 2, 9, 10	25 518 05
	Lead, coil (16" - 14 gauge - push on tab and insulated barrel eyelet terminals) 2, 9, 10	25 518 09		Lead, rectifier regulator (16" - 14 gauge - push on tab terminals) 5, 7	25 518 10
	Lead, coil (6" - 14 gauge - push on tab and insulated barrel eyelet terminals) 5, 7	25 518 06			

KT17-KT19 SERIES II

Group 19 INSTRUMENT PANEL

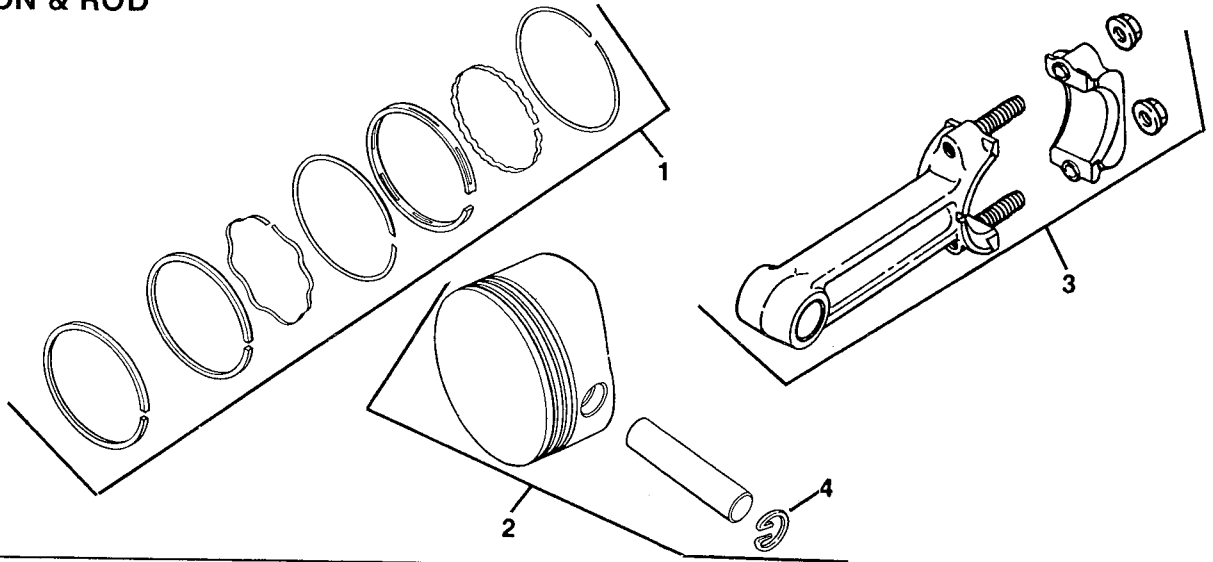


Index Number	Description Variation Number	Part Number	Index Number	Description Variation Number	Part Number
1	Connector 1	236473	8	Bolt, R.H. sq. neck 1/4-20 x 9/16 1	52 086 10
2	Switch, key <i>(Replaced by 52 099 02)</i> 1	52 099 04	9	Palm nut 1	X-799-1
3	Panel, instrument 1	52 178 01	10	Washer, lock 1/4 (2) 1	X-20-1
4	Washer <i>(Replaced by 52 099 02)</i> 1	48 468 02	11	Nut, hex 1/4-20 (2) 1	X-81-1
5	Nut <i>(Replaced by 52 099 02)</i> 1	48 100 01	12	Solenoid 1	52 435 01
6	Key (2) 1	48 340 01	13	Screw, hex. wash. hd. 1/4-20 x 3/4 1	X-67-62
7	Bracket, solenoid 1	52 126 06	14	Washer, plain 1/4 1	X-25-95
			15	Cable, choke 1	52 225 01
			16	Screw, T.H. 1/4-20 x 5/8 1	47 086 08

Index Number	Description Variation Number	Part Number	Index Number	Description Variation Number	Part Number
17	Washer, spring 1/4 1	52 468 11	32	Washer, E.T. 1/4 200	X-22-38
18	Tab, locking 1	52 448 01	33	Switch, Toggle 200	238011
19	Washer, flat 1/4 (2) 1	52 468 10	34	Washer, I.T. #6 (4) 200	X-22-6
20	Lever, throttle 1	52 090 08	35	Washer, plain 5/16 (2) 200	X-25-5
21	Knob, throttle lever 1	52 341 01	36	Holder, fuse (Includes 37) 200	41 323 02
22	Plate, throttle stop 1	52 146 07	37	Fuse 200	41 304 01
23	Linkage, throttle 1	52 079 03		Not Illustrated	
24	Harness, wiring 1	52 176 01		Lead, solenoid to starter (6" - 6 gauge - insulated barrel eyelet terminals) 1	52 518 03
25	Clip, cable 1	234511		Lead, key to coil (4" - 6 gauge - push on tab and insulated barrel eyelet terminals) 1	52 518 04
26	Plate, instruction 200	220725			
27	Screw, H.C. 1/4-20 x 1/2 (2) 200	X-5-13			
28	Panel, control 200	237594			
29	Washer, split lock 1/4 (2) 200	X-20-1			
30	Nut, hex 1/4-20 (2) 200	X-81-1			
31	Switch, push button 200	237851			

KT17-KT19 **SERIES II**

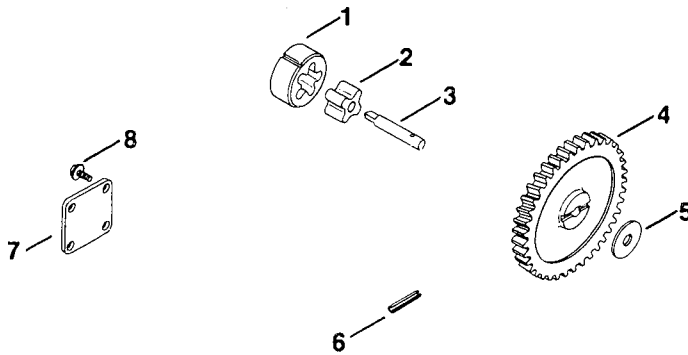
Group 22 PISTON & ROD



Index Number	Description Variation Number	Part Number	Index Number	Description Variation Number	Part Number
Model KT17			Model KT19		
1	Ring Set - Std. & .003 (2) 11	52 108 01	1	Ring Set - Std. & .003 (2) 12	52 108 01
	Ring Set - .010 (2)	52 108 02		Ring Set - .010 (2)	52 108 02
	Ring Set - .020 (2)	52 108 03		Ring Set - .020 (2)	52 108 03
	Ring Set - .030 (2)	52 108 04		Ring Set - .030 (2)	52 108 04
2	Piston assembly - Std. (2) 11	52 074 67	2	Piston assembly - Std. (2) 12	52 074 72
	Piston assembly - .003 (2)	52 074 68		Piston assembly - .003 (2)	52 074 73
	Piston assembly - .010 (2)	52 074 69		Piston assembly - .010 (2)	52 074 74
	Piston assembly - .020 (2)	52 074 70		Piston assembly - .020 (2)	52 074 75
	Piston assembly - .030 (2)	52 074 71		Piston assembly - .030 (2)	52 074 76
3	Connecting Rod - Std. (2) 11	52 067 61	3	Connecting Rod - Std. (2) (Replaced by 52 067 65)	
	Connecting Rod - .010 U. S. (2)	52 067 62		12	52 067 63
4	Retainer, piston pin (4) 11	230004	4	Connecting Rod - .010 U. S. (2) (Replaced by 52 067 66)	
				12	52 067 64
			4	Retainer, piston pin (4) 12	52 141 01

KT17-KT19 **SERIES II**

Group 25 OIL PUMP



Index Number	Description Variation Number	Part Number	Index Number	Description Variation Number	Part Number
1	Rotor, outer 2	51 414 02	5	Spacer (A.R. Max. 2) 2	52 422 01
2	Rotor, inner 2	51 414 01	6	Pin, roll 2	X-280-25
3	Shaft, oil pump 2	52 144 05	7	Cover, oil pump 2	52 096 03
4	Gear, oil pump 2	52 043 05	8	Screw, tapping 10-32 x 3/8 (4) 2	X-67-64

**Group 39
GASKET SET**

KT17-KT19 SERIES II

Index Number	Description Variation Number	Part Number	Index Number	Description Variation Number	Part Number
Model KT17 & KT19					
	Gasket Set				
	12	52 755 12			
	<i>Set Includes</i>				
	Seal, front oil	52 032 10			
	Seal, rear oil 1-3/8" I.D.	X-583-5			
	Seal, rear oil 1-1/2" I.D.	52 032 08			
	Gasket, breaker cover	52 041 11			
	Gasket, elbow	277069			
	Gasket, air cleaner	277093			
	Gasket, fuel pump	47 041 04			
	Gasket, intake (2)	52 041 09			
	Gasket, exhaust (2)	52 041 10			
	Gasket, closure plate	52 041 08			
	Gasket, cylinder barrel (2)	52 041 04			
	Gasket, carburetor	271030			
	Seal, valve stem (2)	52 032 05			
	Gasket, cylinder head (2)	52 052 04			
	Gasket, valve cover (3)	52 055 01			
	Gasket, air cleaner	52 055 04			
	Seal, breather	52 032 04			

KOHLER **engines**

ENGINE DIVISION, KOHLER CO., KOHLER, WISCONSIN 53044